

LCD Entertainment Ready

INSTALLATION INSTRUCTIONS



LifeFitness

CORPORATE HEADQUARTERS

10601 West Belmont Avenue
Franklin Park, Illinois 60131 • U.S.A.
847.288.3300 • FAX: 847.288.3703
800.735.3867 (Toll-free within U.S.A., Canada)

INTERNATIONAL OFFICES

LIFE FITNESS ASIA PACIFIC LTD

Room 2610, Miramar Tower
132 Nathan Road
Tsimshatsui, Kowloon
HONG KONG
Telephone: (+852) 2891.6677
FAX: (+852) 2575.6001

LIFE FITNESS ATLANTIC BV

LIFE FITNESS BENELUX

Bijdorpplein 25-31
2992 LB Barendrecht
THE NETHERLANDS
Telephone: (+31) 180.646.666
FAX: (+31) 180.646.699

LIFE FITNESS BENELUX NV

Parc Industriel de Petit-Rechain
4800 Verviers
BELGIUM
Telephone: (+32) 87.300.942
FAX: (+32) 87.300.943

LIFE FITNESS DO BRAZIL

Av. Dr. Dib Sauaia Neto 1478
Alphaville, Barueri, SP
06465-140
BRAZIL
Telephone (+55) 11.4193.8282
FAX: (+55) 11.4193.8283

LIFE FITNESS AUSTRIA

Vertriebs GmbH
Hintschiggasse 1
1100 Vienna
AUSTRIA
Telephone: (+43) 1.61 57 198
FAX: (+43) 1.61 57 198.20

LIFE FITNESS IBERIA

Pol. Ind. Molí dels Frares. c/C, nº 12
08620 Sant Vicenç dels Horts (Barcelona)
Espanña
Telephone: (+34) 93.672.4660
FAX: (+34) 93.672.4670

LIFE FITNESS EUROPE GMBH

Siemensstrasse 3
85716 Unterschleissheim
GERMANY
Telephone: (+49) 89.31 77 51.0
FAX: (+49) 89.31 77 51.99

LIFE FITNESS ITALIA S.R.L.

Via San Pieretto
37010 AFFI (Verona)
ITALY
Telephone: (+39) 045.7238204
FAX: (+39) 045.7238197

LIFE FITNESS LATIN AMERICA and CARIBBEAN

10601 West Belmont Avenue
Franklin Park, Illinois 60131
U.S.A.
Telephone: (+1) 847.288.3300
FAX: (+1) 847.288.3762

LIFE FITNESS UK LTD

Queen Adelaide
Ely, Cambs CB7 4UB
UNITED KINGDOM
Telephone: (+44) 1.353.666 017
FAX: (+44) 1.353.666 018

LIFE FITNESS JAPAN

Nippon Brunswick Bldg., #8F
5-27-7 Sendagaya
Shibuya-Ku, Tokyo
Japan 151-0051
Telephone: (+81) 3.3359.4309
FAX: (+81) 3.3359.4307

NOTE: This equipment has been tested and found to comply with the limits for a Class B digital device pursuant to Part 15 of the FCC Rules. These limits are designed to provide reasonable protection against harmful interference in a residential installation. This equipment generates, uses, and can radiate radio frequency energy and, if not installed and used in accordance with the instructions, may cause harmful interference with radio communications. However, there is no guarantee that interference will not occur in a particular installation. If this equipment does cause harmful interference to radio or television reception, which can be determined by turning the equipment off and on, the user is encouraged to try to correct the interference by one or more of the following measures:

- Reorient or relocate the receiving antennas.
- Increase the separation between the equipment and receiver.
- Connect the equipment into an outlet on a circuit different from that to which the receiver is connected.
- Consult the dealer or an experienced radio/TV technician for help.



CAUTION: Any changes or modifications to this equipment could void the product warranty.

Mise en garde : tout changement ou toute modification de ce matériel peut annuler la garantie du produit.

Any service, other than cleaning or user maintenance, must be performed by an authorized service representative. There are no user serviceable parts.

TABLE OF CONTENTS

Section	Description	Page
1.	Important Safety Instructions	4
2.	Installation	6
	Models New 95Ti Treadmill	7
	Models 95Li Summit Trainer	9
	Models 95Ci, 93C, 90C Upright Exercise Bikes	10
	Models 95Ri, 93R, 90R Recumbent Exercise Bikes	12
	Models 95Si, 93S, 90S Stairclimbers	13
	Models 95Xi, 93X, 90X Cross-Trainers	14
	Models 91Ti, 90T Treadmills	15
	Models 97Ti, 95Ti, 93T Treadmills	17
3.	Console Cable Connections	19

IMPORTANT SAFETY INSTRUCTIONS

- **DANGER:** To reduce the risk of electrical shock, always unplug this Life Fitness product before cleaning or attempting any maintenance activity.
- **WARNING:** To reduce the risk of burns, fire, electric shock, or injury, it is imperative to connect each product to a properly grounded electrical outlet.
- **WARNING:** To prevent injury, this product must be securely attached in accordance with the installation instructions.
- Never operate a Life Fitness product if it has a damaged power cord or electrical plug, or if it has been dropped, damaged, or even partially immersed in water. If this occurs, contact Life Fitness Customer Support Services as outlined in *Service Contacts* at the end of this manual.
- Position this product so that the AC power cord plug is accessible to the user.
- Keep the power cord away from heated surfaces. Do not pull the equipment by the power cord or use the cord as a handle.
- If the electrical supply cord is damaged, it must be replaced by the manufacturer, an authorized service agent, or a similarly qualified person to avoid a hazard.
- Do not use this product in areas where aerosol spray products are being used or where oxygen is being administered. Such substances create the danger of combustion and explosion.
- Always follow the product instructions for proper operation.
- Never insert objects into any opening of the Life Fitness product. If an object should drop inside, unplug this Life Fitness product and carefully retrieve it while the unit is not in use. If the object cannot be reached, contact Life Fitness Customer Support Services.
- Do not use this product outdoors, near swimming pools or in areas of high humidity. Do not expose this product to dripping or splashing liquids. If the product should be exposed to liquid, contact Life Fitness Customer Support Services.
- Never operate a Life Fitness product with the air openings blocked. Keep air openings free of lint, hair, or any obstructing material.
- Use this product only for its intended use as described in this manual. Do not use attachments that have not been recommended by the manufacturer.

SAVE THESE INSTRUCTIONS FOR FUTURE REFERENCE.

CONSIGNES DE SECURITE IMPORTANTES

- **DANGER:** Pour réduire les risques de décharge électrique, toujours débrancher cet appareil Life Fitness avant le nettoyage ou toute mesure d'entretien.
- **AVERTISSEMENT:** Pour réduire les risques de brûlures, d'incendies, de décharges électriques ou de blessures, chaque appareil doit absolument être branché sur une prise électrique correctement mise à la terre.
- **AVERTISSEMENT** Pour prévenir les blessures, ce produit doit être solidement fixé, conformément aux instructions d'installation.
- Ne jamais faire fonctionner un produit Life Fitness dont la fiche ou le cordon d'alimentation est endommagé, ni aucun appareil qui serait tombé ou aurait été endommagé ou même partiellement plongé dans l'eau. Si cela se produit, communiquer avec le service à la clientèle de Life Fitness de la manière indiquée à la rubrique Coordonnées des réparateurs agréés à la fin du présent guide.
- Placer l'appareil de façon à ce que l'utilisateur ait accès à la fiche du cordon d'alimentation.
- Tenir le cordon d'alimentation à l'écart de toute surface chauffée. Ne pas tirer l'appareil par le cordon d'alimentation; ne pas utiliser le cordon comme poignée.
- Si le cordon d'alimentation électrique est endommagé, il doit être remplacé par le fabricant, par un réparateur agréé ou par une personne qualifiée afin d'éviter tout danger.
- Ne pas utiliser ce produit dans des salles où des vaporisateurs aérosols sont employés ou bien où de l'oxygène est administré. Ces substances créent des risques de combustion et d'explosion.
- Toujours suivre les instructions sur le produit pour s'assurer de son fonctionnement adéquat.
- Ne jamais insérer aucun objet dans les ouvertures du produit Life Fitness. Si un objet tombe à l'intérieur du produit Life Fitness, le débrancher et extraire l'objet soigneusement pendant que l'appareil est débranché. S'il est impossible d'atteindre l'objet, communiquer avec le service à la clientèle de Life Fitness.
- Ne pas utiliser ce produit à l'extérieur, près d'une piscine ou dans des endroits très humides. Ne pas exposer ce produit à des liquides qui s'égouttent ni à des éclaboussures. Si le produit est en contact avec des liquides, communiquer avec le service à la clientèle de Life Fitness.
- Ne jamais faire fonctionner d'appareil Life Fitness dont les orifices d'aération seraient bloqués. Les garder exempts de peluches, de cheveux ou de toute obstruction.
- Utiliser ce produit uniquement pour les fins auxquelles il est destiné et de la manière décrite dans le présent manuel. Ne pas utiliser d'accessoires qui ne sont pas recommandés par le fabricant.

CONSERVER CES INSTRUCTIONS POUR TOUT USAGE ULTÉRIEUR.

INSTALLATION

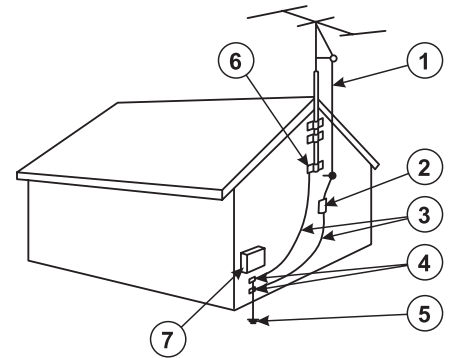
Note to the CATV Installer:

This reminder is provided to call the CATV system installer's attention to Article 820-40 of the NEC that provides guidelines for proper grounding and, in particular, specifies that the cable ground shall be connected to the grounding system of the building as close to the point of cable entry as practical.

Antenna Grounding According to the NEC

Antenna Grounding According to the National Electrical Code, ANSI/NFPA 70.

1. Antenna lead in wire
2. Antenna discharge unit (NEC Section 810-20)
3. Grounding conductors (NEC Section 810-21)
4. Ground clamp
5. Power service grounding electrode system (NEC Article 250, Part H)
6. Ground clamp
7. Electric service equipment



REMOTE CONTROL CONFIGURATION

TOOLS REQUIRED: *Metric Allen Set*

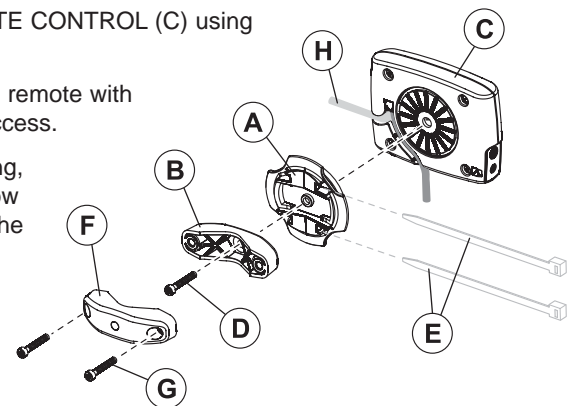
Mount the PIVOT DISC (A) and FRONT BRACKET (B) to the back of the REMOTE CONTROL (C) using one SCREW (D). Leave the SCREW loose at this time.

Select a user accessible location to mount the REMOTE CONTROL. Position the remote with bracket at the desired location. Pivot the remote as necessary for optimal user access.

NOTE: If the desired location is such that the BRACKET will not work for mounting, remove the FRONT BRACKET and reinstall the PIVOT DISC. The remote can now be installed using the two CABLE TIES (E) or FASTENER DISCS provided with the REMOTE. Be sure the PIVOT DISC is oriented to accommodate the mounting surface.

Tighten the screw to secure the PIVOT DISC and FRONT BRACKET to the remote.

Reposition the REMOTE with BRACKET in the desired location and secure the REMOTE to the equipment using the REAR BRACKET (F) and two SCREWS (G). Tighten the SCREWS securely.



NOTE: Two differing length of SCREWS (G) are included to accommodate various mounting thicknesses.

NOTE: The REMOTE CABLE (H) can be routed through any of two cable routing channels in the back of the REMOTE or around the PIVOT DISC.

Recommended Remote Locations:

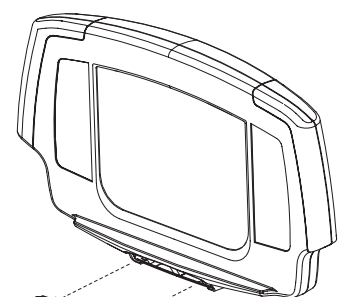
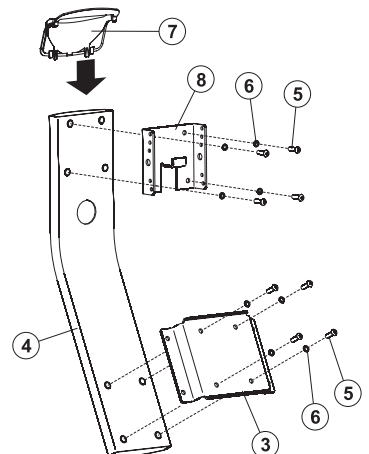
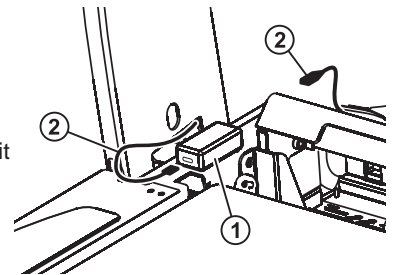
Product	Location	Attachment Method
95/97Ti Treadmill	Ergobar - far right side	Bracket direct to tube
90/91Ti Treadmill	Ergobar - far right side	Bracket direct to tube
90/93/95Xi Cross-Trainer	Aft of water bottle tray - centered	Controller mounts to unique bracket on monocolumn
91X Cross-Trainer	Bullhorn near weld to console support tube - near LEFT side	Bracket direct to tube
95Li Summit Trainer	Handrail crossbar - near right of water tray	Bracket direct to tube
90/93/95Si Stairclimber	Handrail crossbar - near left of Polar cover	Bracket direct to tube
90/93/95Ci Upright Bike	Modified Polar cover w/ holes for cable ties - centered	Controller mounts to modified Polar cover via cable ties
90/93/95Ri Recumbent Bike	Front bullhorn handle - right side	Bracket direct to tube

MODELS NEW 95Ti TREADMILLS

TOOLS REQUIRED: *Phillips Screwdriver, Metric Allen Set, M16 & M17 Wrench*

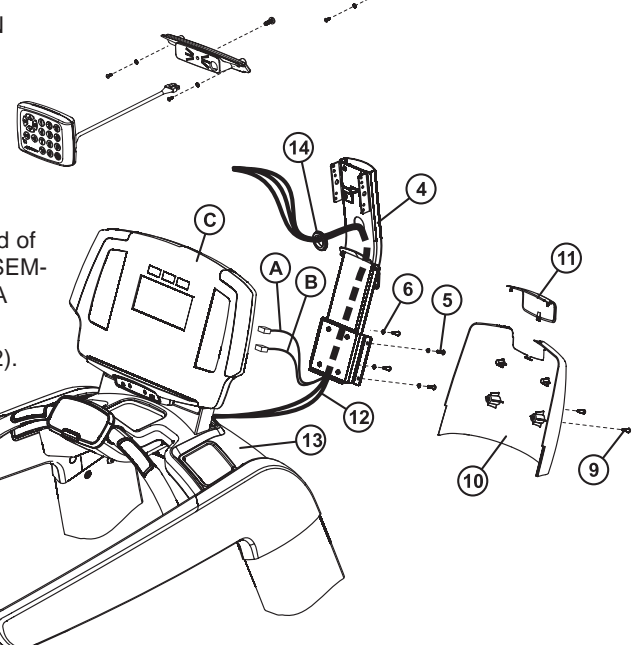
PARTS NOT USED FROM KIT: (1) *Main Bracket Cap, (1) Grommet*

1. Turn off the treadmill and unplug it from the power outlet.
2. Remove the six SCREWS securing the MOTOR COVER. Remove the MOTOR COVER and set it and the screws aside.
3. Remove the protective liner from one of the provided FASTENER STRIPS. Attach the fastener strip to the bottom of the POWER BLOCK (1). Interlock the remaining FASTENER STRIP to the installed FASTENER STRIP. Remove the remaining protective liner from FASTENER STRIP and secure the POWER BLOCK to the FRAME as shown.
4. Plug the POWER CORDS (2) leading from the MOTOR COMPARTMENT and LEFT UPRIGHT into their respective ends of the POWER BLOCK (1). Feed excess cable into the LEFT UPRIGHT.
5. Re-install the MOTOR COVER using the six previously removed SCREWS.
6. Attach the LOWER MOUNTING BRACKET (3) to the MAIN BRACKET (4) as shown using four SCREWS (5) and WASHERS (6) each. Tighten the SCREWS securely. (8-10 ft. lbs.)
7. Slide the new BRACKET COVER (7) over the top end of the MAIN BRACKET (4) and down to meet the LOWER MOUNTING BRACKET (3) as shown.
8. Attach the TV BRACKET (with bent tab) (8) to the MAIN BRACKET (4) as shown using four SCREWS (5) and WASHERS (6). Tighten the SCREWS securely. (8-10 ft. lbs.)
9. Remove the two SCREWS (9) securing the REAR CONSOLE COVER (10) to the FRAME. Remove the REAR CONSOLE COVER. Remove the TOP INSERT (11) from the REAR CONSOLE COVER and discard. Set the REAR CONSOLE COVER aside.



Achieve Console Units Only:

10. Remove the two SCREWS (--) securing the BOTTOM INSERT (--) and remove the insert. Do not discard the SCREWS.
11. Locate the REMOTE CONTROL (--) and REMOTE BRACKET (--). Feed the REMOTE CABLE (--) through the large access hole in the REMOTE BRACKET (--). With the REMOTE CONTROL (--) and REMOTE BRACKET (--) oriented as shown, secure them together using one SCREW. Tighten the SCREW securely.
12. Carefully feed the REMOTE CABLE (--) through the opening in the bottom of the CONSOLE (--) and through the back of the CONSOLE. Position the REMOTE BRACKET (--) into position replacing the BOTTOM INSERT (--). Secure the REMOTE BRACKET using the previously removed SCREWS.
13. Carefully pull the MEDIA CABLE BUNDLE (12) (POWER, COAXIAL, I-R CONTROL (remote cable on achieve consoles), S-VIDEO) from inside the CONSOLE BRIDGE (13). Un-bundle and straighten the MEDIA CABLES. Install the COAXIAL EXTENSION COUPLER and COAXIAL EXTENSION CABLE.
14. Connect the I-R CONTROL (A) and S-VIDEO (B) CABLES to the back of the DISPLAY CONSOLE (C).
15. Tape the ends of the all CABLES (POWER, COAXIAL, I-R CONTROL (remote cable on achieve consoles), S-VIDEO) together.
16. Holding the MAIN BRACKET ASSEMBLY (4) close to the CONSOLE BRIDGE (13) as shown. With the holes facing upward, feed the taped end of the MEDIA CABLES (12) through the bottom of the MAIN BRACKET ASSEMBLY and out of the UPPER HOLE as shown. Carefully pull excess MEDIA CABLE through the MAIN BRACKET ASSEMBLY.
17. Slide one GROMMET (14) over the taped end of the MEDIA CABLES (12). Install the GROMMET into the top access hole.
18. Tilt the MAIN BRACKET ASSEMBLY (4) upward and align the LOWER MOUNTING BRACKET (3) holes with those in the CONSOLE BRACKET POSTS. Secure the MAIN BRACKET ASSEMBLY using four SCREWS (5) and WASHERS (6). Tighten the SCREWS securely. (8-10 ft. lbs.)



CAUTION: Raise the BRACKET COVER (7) to meet the exiting MEDIA CABLES before mounting the MAIN BRACKET ASSEMBLY.

INSTALLATION

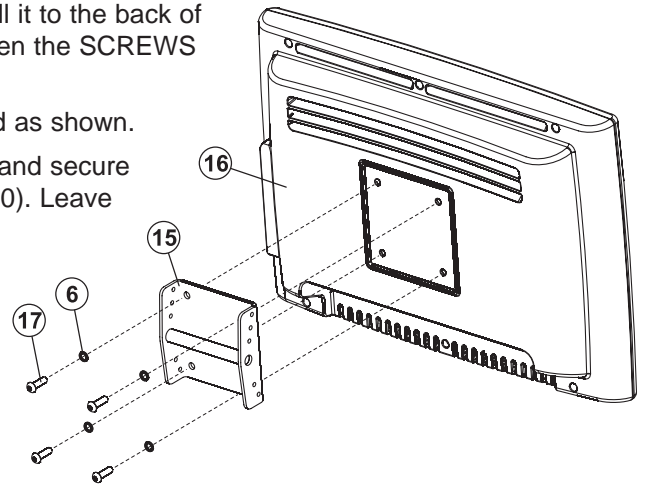
19. With the remaining TV BRACKET (15) oriented as shown, install it to the back of the TV (16) using four SCREWS (17) and WASHERS (6). Tighten the SCREWS securely. (8-10 ft. lbs.)

NOTE: Be sure the side holes of the TV BRACKET are oriented as shown.

20. Position the TV BRACKETS (8 & 15) together as shown below and secure them together using one BOLT (18), WASHER (19) and NUT (20). Leave the BOLT and NUT loose at this time.

NOTE: Be sure the PIVOT POST of the TV BRACKET (15) engages onto TV BRACKET (8).

21. Remove the tape from the end of the MEDIA CABLES (POWER, COAXIAL, I-R CONTROL (remote cable on achieve consoles), S-VIDEO). Connect all cables to their corresponding jacks located on the back of the TV (16) (See end of instruction manual for TV connection details). Feed any excess MEDIA CABLE into the MAIN BRACKET (4).



22. Install the top MAIN BRACKET CAP (21) to the top of the MAIN BRACKET ASSEMBLY (4).

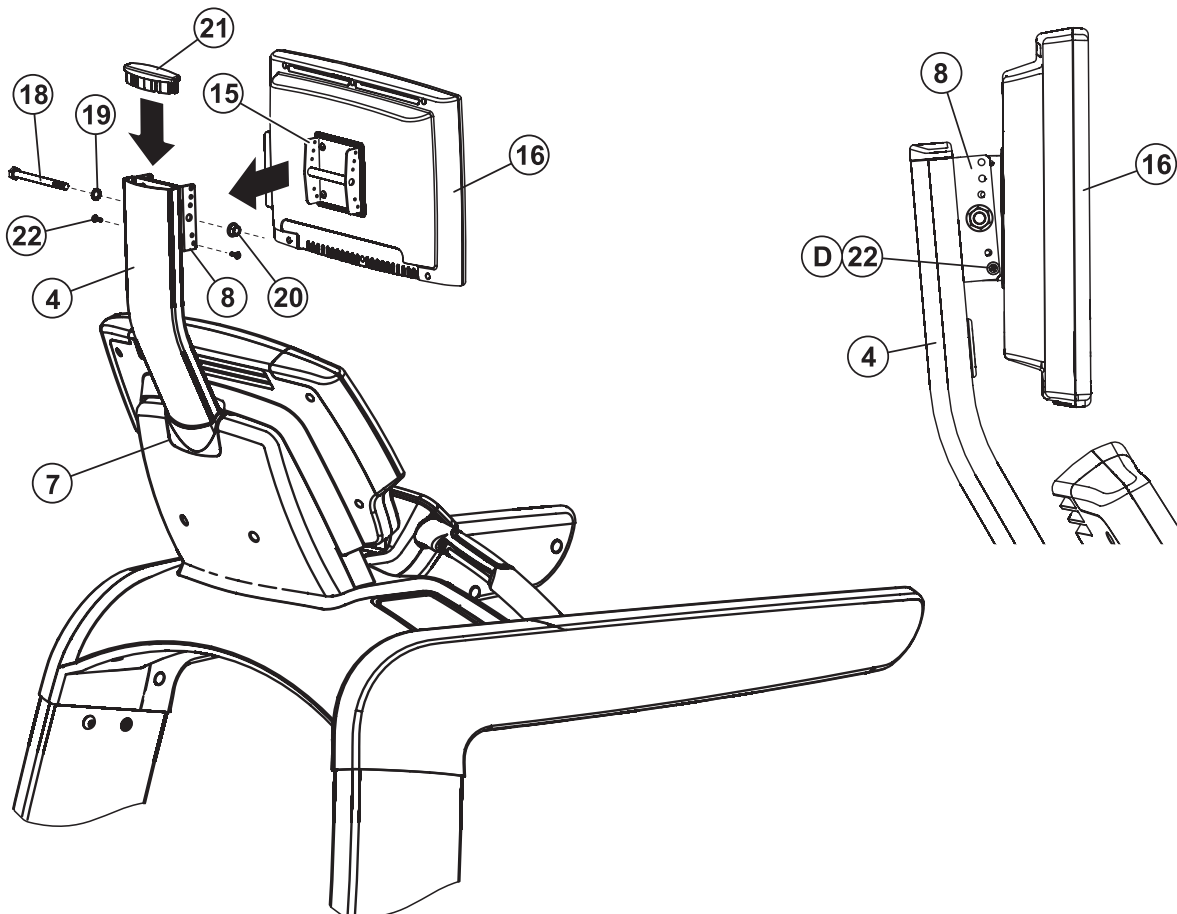
23. Replace the REAR CONSOLE COVER (10) and secure it using the previously removed two SCREWS (9). Tighten the SCREWS securely. (8-10 ft. lbs.). Do not over-tighten the SCREWS.

24. Slide the BRACKET COVER (7) down to meet the REAR CONSOLE COVER (10). Snap the BRACKET COVER into the REAR CONSOLE COVER.

25. Align the LOWEST SIDE HOLES on the TV BRACKETS (8 & 15). Secure the TV BRACKET into proper position using one SCREW (22) on each side.

NOTE: Life Fitness recommends aligning and securing the TV at the lowest side holes (D) as shown.

26. Plug in the treadmill and power on the treadmill and TV. Refer to the Owners Manual for proper TV setup.



MODELS NEW 95X CROSS-TRAINERS

TOOLS REQUIRED: *Phillips Screwdriver, Metric Allen Set, M16 & M17 Wrench*

PARTS NOT USED FROM KIT: (1) *Main Bracket Cap, (1) Grommet*

1. Remove the protective liner from one of the provided FASTENER STRIPS. Attach the fastener strip to the bottom of the POWER BLOCK (--). Interlock the remaining FASTENER STRIP to the installed FASTENER STRIP. Remove the remaining protective liner from FASTENER STRIP and secure the POWER BLOCK to the underside of the CENTER FRAME as shown.

Connect the screw-type connector of the POWER CORD (--) to the underside receptacle. Bundle excess POWER CORD and store under the unit. Connect the COAXIAL CABLE (r) to the broadcast supply receptacle in similar fashion.

2. Connect the POWER SUPPLY CORD to the POWER ADAPTER (o).

3. Attach the TV BRACKET (with bent tab) (--) to the MAIN BRACKET (--) as shown using four SCREWS (--) and WASHERS (--). Tighten the SCREWS securely. (8-10 ft. lbs.)

4. Remove the six SCREWS (--) securing the REAR CONSOLE COVER (10) to the FRAME. Remove the REAR CONSOLE COVER.

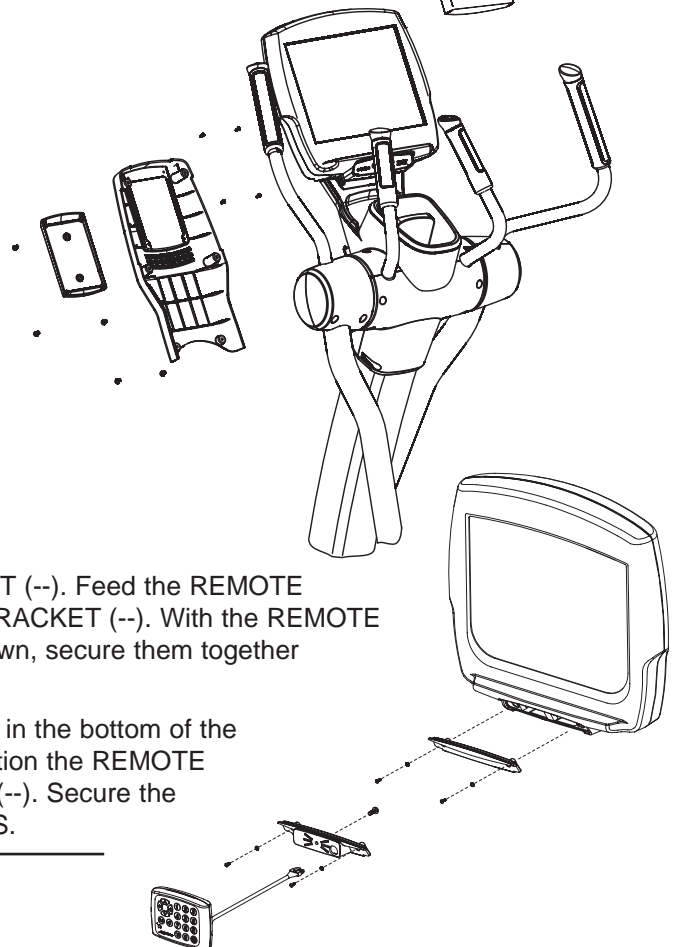
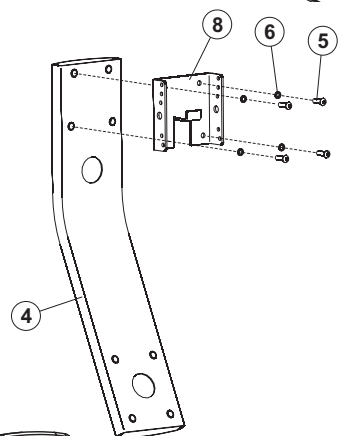
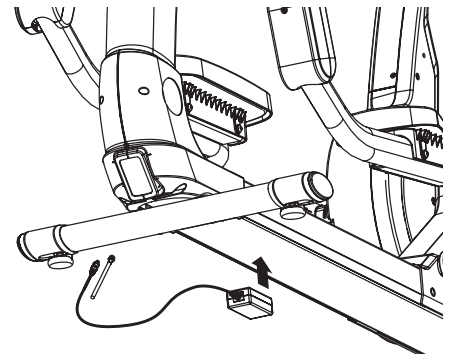
Remove the four SCREWS securing the INSERT (--) as shown. Set the REAR CONSOLE COVER aside.

5. Carefully pull the MEDIA CABLE BUNDLE (--) (POWER and COAXIAL) from inside the CONSOLE BRIDGE (--). Unbundle and straighten the MEDIA CABLES.

Install the COAXIAL EXTENSION COUPLER and COAXIAL EXTENSION CABLE.

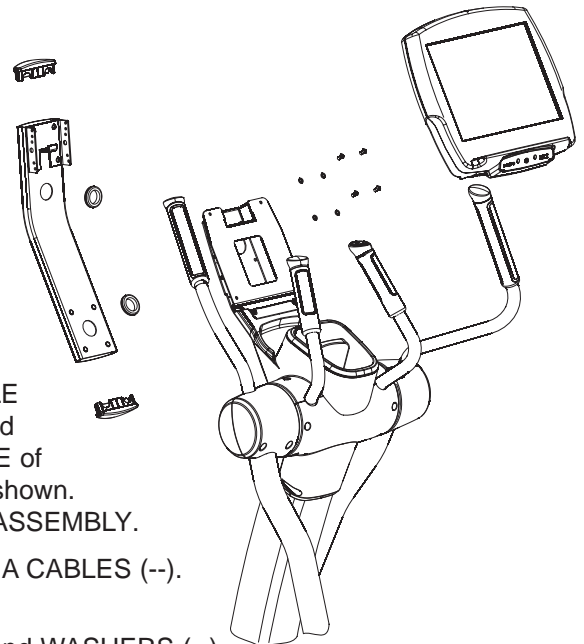
Achieve Console Units Only:

6. Remove the two SCREWS (--) securing the BOTTOM INSERT (--) and remove the insert. Do not discard the SCREWS.
7. Locate the REMOTE CONTROL (--) and REMOTE BRACKET (--). Feed the REMOTE CABLE (--) through the large access hole in the REMOTE BRACKET (--). With the REMOTE CONTROL (--) and REMOTE BRACKET (--) oriented as shown, secure them together using one SCREW. Tighten the SCREW securely.
8. Carefully feed the REMOTE CABLE (--) through the opening in the bottom of the CONSOLE (--) and through the back of the CONSOLE. Position the REMOTE BRACKET (--) into position replacing the BOTTOM INSERT (--). Secure the REMOTE BRACKET using the previously removed SCREWS.

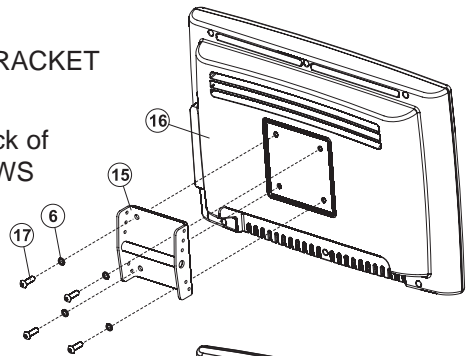


INSTALLATION

9. Tilt the DISPLAY CONSOLE (--) forward and connect the I-R CONTROL (A) and S-VIDEO (--) CABLES to the back of the DISPLAY CONSOLE.
10. Tape the ends of the all CABLES (POWER, COAXIAL, I-R CONTROL, S-VIDEO) together.
11. Feed the taped end of the MEDIA CABLES (--) through the large hole in the back of the CONSOLE BRACKET (--). Carefully pull excess MEDIA CABLE through the CONSOLE BRACKET .
12. Slide one GROMMET (--) over the taped end of the MEDIA CABLES (--).
13. Holding the MAIN BRACKET ASSEMBLY (--) close to the CONSOLE BRIDGE (--) as shown. With the holes facing upward, feed the taped end of the MEDIA CABLES (--) through the BOTTOM LARGE HOLE of the MAIN BRACKET ASSEMBLY and out of the UPPER HOLE as shown. Carefully pull excess MEDIA CABLE through the MAIN BRACKET ASSEMBLY.
14. Slide the remaining GROMMET (--) over the taped end of the MEDIA CABLES (--). Install the GROMMETS into the ACCESS HOLES.
15. Secure the MAIN BRACKET ASSEMBLY using four SCREWS (--) and WASHERS (--) as shown. Tighten the SCREWS securely. (8-10 ft. lbs.)
16. Install the MAIN BRACKET CAPS (--) to the top and bottom of the MAIN BRACKET ASSEMBLY (--).



17. With the remaining TV BRACKET (--) oriented as shown, install it to the back of the TV (--) using four SCREWS (--) and WASHERS (--). Tighten the SCREWS securely. (8-10 ft. lbs.)

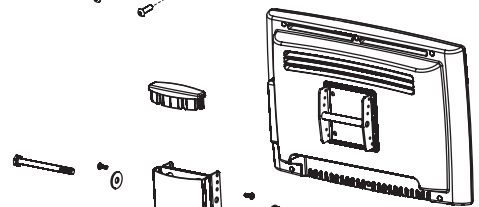


NOTE: Be sure the side holes of the TV BRACKET are oriented as shown.

18. Position the TV BRACKETS (-- & --) together as shown below and secure them together using one BOLT (--), WASHER (--) and NUT (--). Leave the BOLT and NUT loose at this time.

NOTE: Be sure the PIVOT POST of the TV BRACKET (--) engages onto TV BRACKET (--).

19. Remove the tape from the end of the MEDIA CABLES (POWER, COAXIAL, I-R CONTROL, S-VIDEO). Connect all cables to their corresponding jacks located on the back of the TV (--) (See end of instruction manual for TV connection details). Feed any excess MEDIA CABLE into the MAIN BRACKET (--).

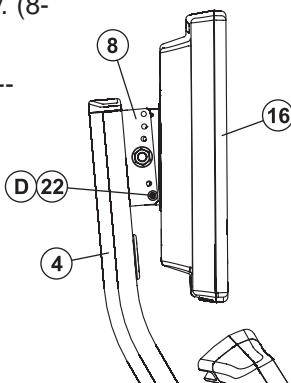


20. Tilt the DISPLAY CONSOLE back into place. Replace the REAR CONSOLE COVER (--) and secure it using the previously removed six SCREWS (--). Tighten the SCREWS securely. (8-10 ft. lbs.). Do not over-tighten the SCREWS.

21. Align the LOWEST SIDE HOLES on the TV BRACKETS (-- & --). Secure the TV BRACKET into proper position using one SCREW (--) on each side.

NOTE: Life Fitness recommends aligning and securing the TV at the lowest side holes (--) as shown.

22. Plug in and power on the TV. Refer to the Owners Manual for proper TV setup.



MODELS NEW 95C UPRIGHT LIFECYCLE® EXERCISE BIKES

TOOLS REQUIRED: *Phillips Screwdriver, Metric Allen Set, M16 & M17 Wrench*

PARTS NOT USED FROM KIT: (1) *Main Bracket Cap, (1) Grommet*

1. Remove the protective liner from one of the provided FASTENER STRIPS. Attach the fastener strip to the bottom of the POWER BLOCK (--). Interlock the remaining FASTENER STRIP to the installed FASTENER STRIP. Remove the remaining protective liner from FASTENER STRIP and secure the POWER BLOCK to the underside of the CENTER FRAME as shown.

Connect the screw-type connector of the POWER CORD (--) to the underside receptacle. Bundle excess POWER CORD and store under the unit. Connect the COAXIAL CABLE (r) to the broadcast supply receptacle in similar fashion.

2. Connect the POWER SUPPLY CORD to the POWER ADAPTER (o).

3. Attach the TV BRACKET (with bent tab) (--) to the MAIN BRACKET (--) as shown using four SCREWS (--) and WASHERS (--). Tighten the SCREWS securely. (8-10 ft. lbs.)

4. Remove the six SCREWS (--) securing the REAR CONSOLE COVER (10) to the FRAME. Remove the REAR CONSOLE COVER.

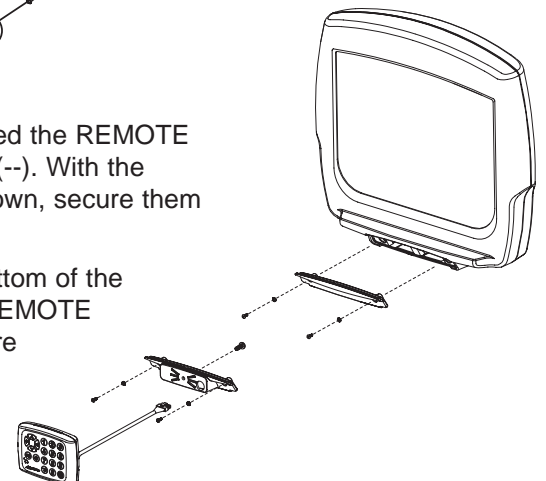
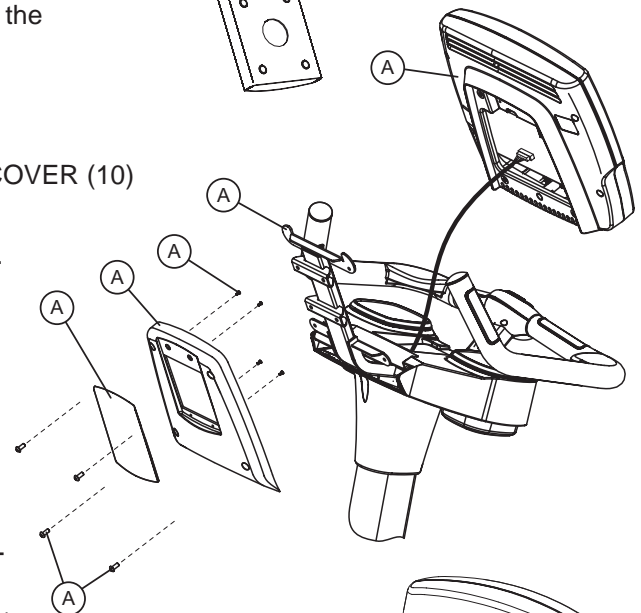
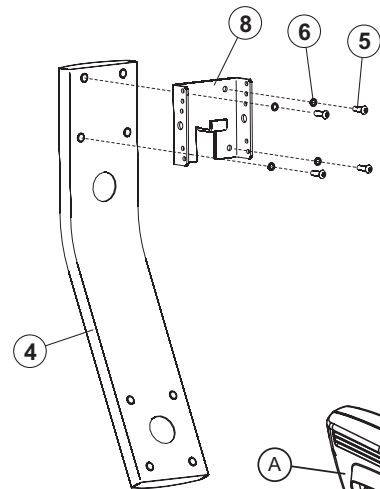
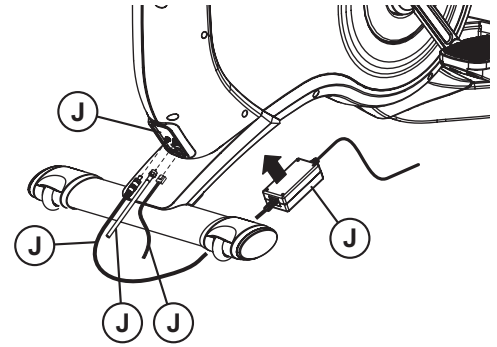
Remove the four SCREWS securing the INSERT (--) as shown. Set the REAR CONSOLE COVER aside.

5. Carefully pull the MEDIA CABLE BUNDLE (--) (POWER and COAXIAL) from inside the CONSOLE BRIDGE (--). Un-bundle and straighten the MEDIA CABLES.

Install the COAXIAL EXTENSION COUPLER and COAXIAL EXTENSION CABLE.

Achieve Console Units Only:

6. Remove the two SCREWS (--) securing the BOTTOM INSERT (--) and remove the insert. Do not discard the SCREWS.
7. Locate the REMOTE CONTROL (--) and REMOTE BRACKET (--). Feed the REMOTE CABLE (--) through the large access hole in the REMOTE BRACKET (--). With the REMOTE CONTROL (--) and REMOTE BRACKET (--) oriented as shown, secure them together using one SCREW. Tighten the SCREW securely.
8. Carefully feed the REMOTE CABLE (--) through the opening in the bottom of the CONSOLE (--) and through the back of the CONSOLE. Position the REMOTE BRACKET (--) into position replacing the BOTTOM INSERT (--). Secure the REMOTE BRACKET using the previously removed SCREWS.



INSTALLATION

9. Tilt the DISPLAY CONSOLE (--) forward and connect the I-R CONTROL (A) and S-VIDEO (--) CABLES to the back of the DISPLAY CONSOLE.

10. Tape the ends of the all CABLES (POWER, COAXIAL, I-R CONTROL, S-VIDEO) together.

11. Feed the taped end of the MEDIA CABLES (--) through the large hole in the back of the CONSOLE BRACKET (--). Carefully pull excess MEDIA CABLE through the CONSOLE BRACKET .

12. Slide one GROMMET (--) over the taped end of the MEDIA CABLES (--).

13. Holding the MAIN BRACKET ASSEMBLY (--) close to the CONSOLE BRIDGE (--) as shown. With the holes facing upward, feed the taped end of the MEDIA CABLES (--) through the BOTTOM LARGE HOLE of the MAIN BRACKET ASSEMBLY and out of the UPPER HOLE as shown. Carefully pull excess MEDIA CABLE through the MAIN BRACKET ASSEMBLY.

14. Slide the remaining GROMMET (--) over the taped end of the MEDIA CABLES (--). Install the GROMMETS into the ACCESS HOLES.

15. Secure the MAIN BRACKET ASSEMBLY using four SCREWS (--) and WASHERS (--) as shown. Tighten the SCREWS securely. (8-10 ft. lbs.)

16. Install the MAIN BRACKET CAPS (--) to the top and bottom of the MAIN BRACKET ASSEMBLY (--).

17. With the remaining TV BRACKET (--) oriented as shown, install it to the back of the TV (--) using four SCREWS (--) and WASHERS (--). Tighten the SCREWS securely. (8-10 ft. lbs.)

NOTE: Be sure the side holes of the TV BRACKET are oriented as shown.

18. Position the TV BRACKETS (-- & --) together as shown below and secure them together using one BOLT (--), WASHER (--) and NUT (--). Leave the BOLT and NUT loose at this time.

NOTE: Be sure the PIVOT POST of the TV BRACKET (--) engages onto TV BRACKET (--).

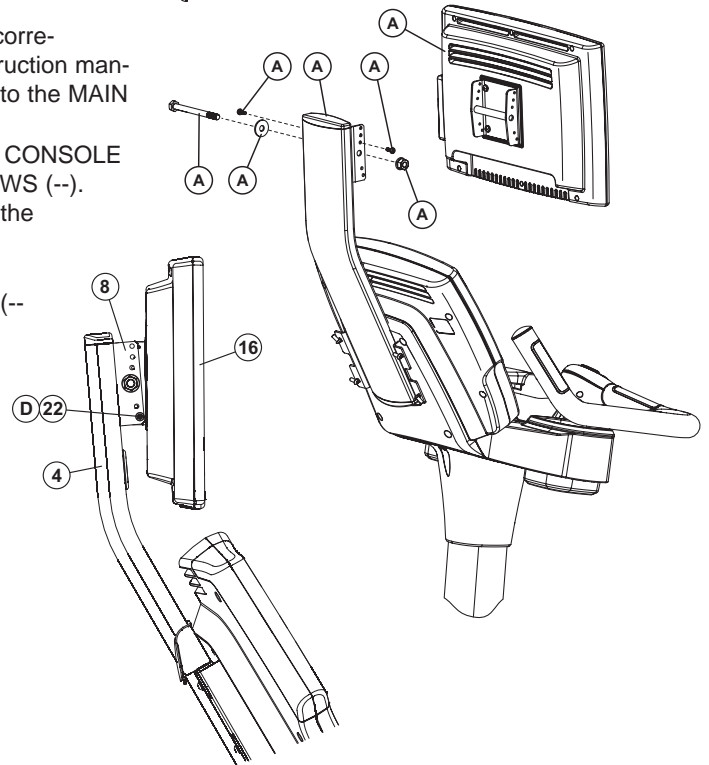
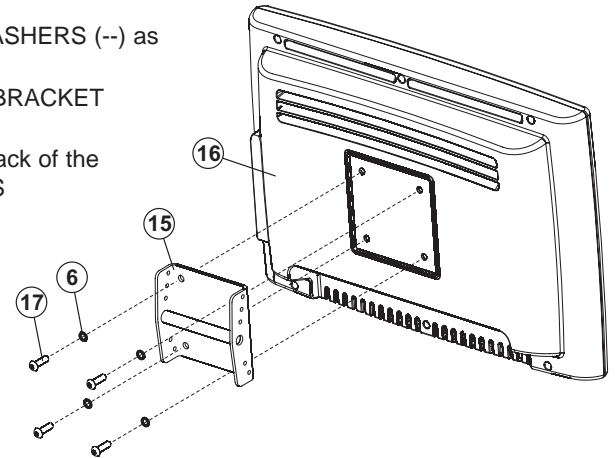
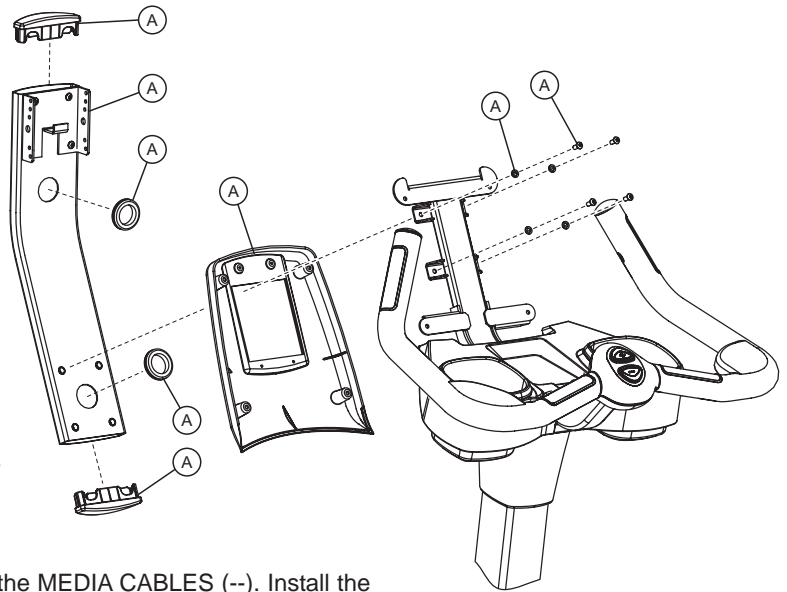
19. Remove the tape from the end of the MEDIA CABLES (POWER, COAXIAL, I-R CONTROL, S-VIDEO). Connect all cables to their corresponding jacks located on the back of the TV (--) (See end of instruction manual for TV connection details). Feed any excess MEDIA CABLE into the MAIN BRACKET (--).

20. Tilt the DISPLAY CONSOLE back into place. Replace the REAR CONSOLE COVER (--) and secure it using the previously removed six SCREWS (--). Tighten the SCREWS securely. (8-10 ft. lbs.). Do not over-tighten the SCREWS.

21. Align the LOWEST SIDE HOLES on the TV BRACKETS (-- & --). Secure the TV BRACKET into proper position using one SCREW (--) on each side.

NOTE: Life Fitness recommends aligning and securing the TV at the lowest side holes (--) as shown.

22. Plug in and power on the TV. Refer to the Owners Manual for proper TV setup.



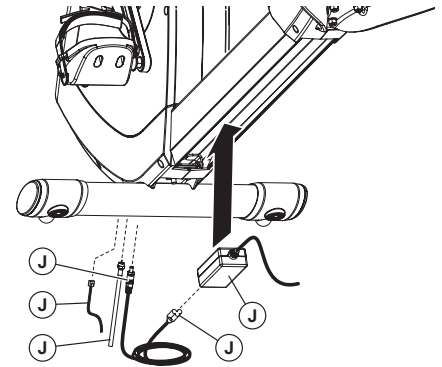
MODELS NEW 95R RECUMBENT LIFECYCLE® EXERCISE BIKES

TOOLS REQUIRED: *Phillips Screwdriver, Metric Allen Set, M16 & M17 Wrench*

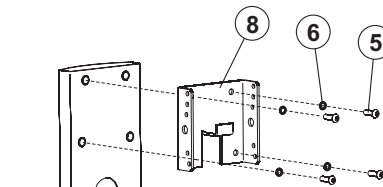
PARTS NOT USED FROM KIT: (1) *Main Bracket Cap, (1) Grommet*

1. Remove the protective liner from one of the provided FASTENER STRIPS. Attach the fastener strip to the bottom of the POWER BLOCK (--). Interlock the remaining FASTENER STRIP to the installed FASTENER STRIP. Remove the remaining protective liner from FASTENER STRIP and secure the POWER BLOCK to the underside of the CENTER FRAME as shown.

Connect the screw-type connector of the POWER CORD (--) to the underside receptacle. Bundle excess POWER CORD and store under the unit. Connect the COAXIAL CABLE (r) to the broadcast supply receptacle in similar fashion.



2. Connect the POWER SUPPLY CORD to the POWER ADAPTER (o).



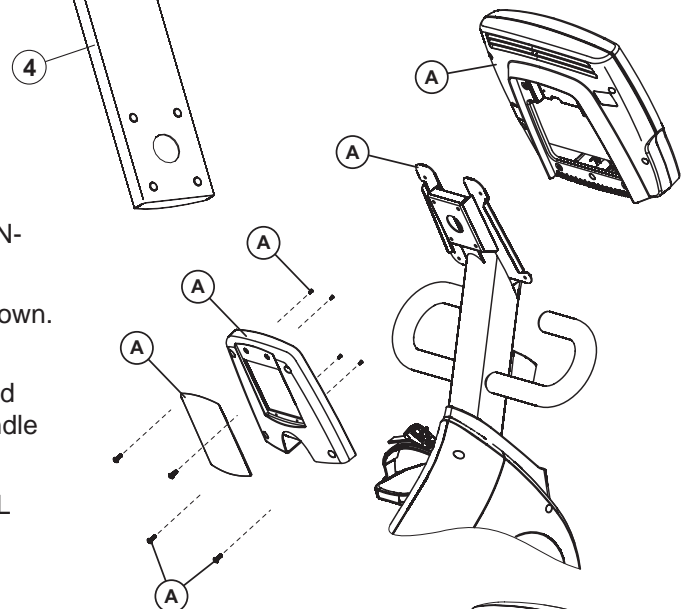
3. Attach the TV BRACKET (with bent tab) (--) to the MAIN BRACKET (--) as shown using four SCREWS (--) and WASHERS (--). Tighten the SCREWS securely. (8-10 ft. lbs.)

4. Remove the six SCREWS (--) securing the REAR CONSOLE COVER (10) to the FRAME. Remove the REAR CONSOLE COVER.

Remove the four SCREWS securing the INSERT (--) as shown. Set the REAR CONSOLE COVER aside.

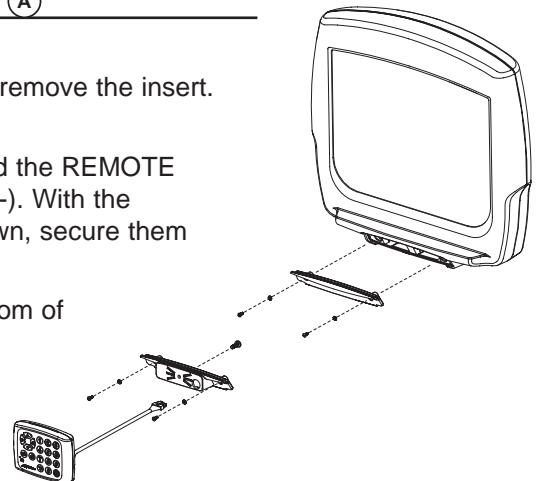
5. Carefully pull the MEDIA CABLE BUNDLE (--) (POWER and COAXIAL) from inside the CONSOLE BRIDGE (--). Un-bundle and straighten the MEDIA CABLES.

Install the COAXIAL EXTENSION COUPLER and COAXIAL EXTENSION CABLE.



Achieve Console Units Only:

6. Remove the two SCREWS (--) securing the BOTTOM INSERT (--) and remove the insert. Do not discard the SCREWS.
7. Locate the REMOTE CONTROL (--) and REMOTE BRACKET (--). Feed the REMOTE CABLE (--) through the large access hole in the REMOTE BRACKET (--). With the REMOTE CONTROL (--) and REMOTE BRACKET (--) oriented as shown, secure them together using one SCREW. Tighten the SCREW securely.
8. Carefully feed the REMOTE CABLE (--) through the opening in the bottom of the CONSOLE (--) and through the back of the CONSOLE. Position the REMOTE BRACKET (--) into position replacing the BOTTOM INSERT (--). Secure the REMOTE BRACKET using the previously removed SCREWS.



INSTALLATION

9. Tilt the DISPLAY CONSOLE (--) forward and connect the I-R CONTROL (A) and S-VIDEO (--) CABLES to the back of the DISPLAY CONSOLE.

10. Tape the ends of the all CABLES (POWER, COAXIAL, I-R CONTROL, S-VIDEO) together.

11. Feed the taped end of the MEDIA CABLES (--) through the large hole in the back of the CONSOLE BRACKET (--). Carefully pull excess MEDIA CABLE through the CONSOLE BRACKET .

12. Slide one GROMMET (--) over the taped end of the MEDIA CABLES (--).

13. Holding the MAIN BRACKET ASSEMBLY (--) close to the CONSOLE BRIDGE (--) as shown. With the holes facing upward, feed the taped end of the MEDIA CABLES (--) through the BOTTOM LARGE HOLE of the MAIN BRACKET ASSEMBLY and out of the UPPER HOLE as shown. Carefully pull excess MEDIA CABLE through the MAIN BRACKET ASSEMBLY.

14. Slide the remaining GROMMET (--) over the taped end of the MEDIA CABLES (--). Install the GROMMETS into the ACCESS HOLES.

15. Secure the MAIN BRACKET ASSEMBLY using four SCREWS (--) and WASHERS (--) as shown. Tighten the SCREWS securely. (8-10 ft. lbs.)

16. Install the MAIN BRACKET CAPS (--) to the top and bottom of the MAIN BRACKET ASSEMBLY (--).

17. With the remaining TV BRACKET (--) oriented as shown, install it to the back of the TV (--) using four SCREWS (--) and WASHERS (--). Tighten the SCREWS securely. (8-10 ft. lbs.)

NOTE: Be sure the side holes of the TV BRACKET are oriented as shown.

18. Position the TV BRACKETS (-- & --) together as shown below and secure them together using one BOLT (--), WASHER (--) and NUT (--). Leave the BOLT and NUT loose at this time.

NOTE: Be sure the PIVOT POST of the TV BRACKET (--) engages onto TV BRACKET (--).

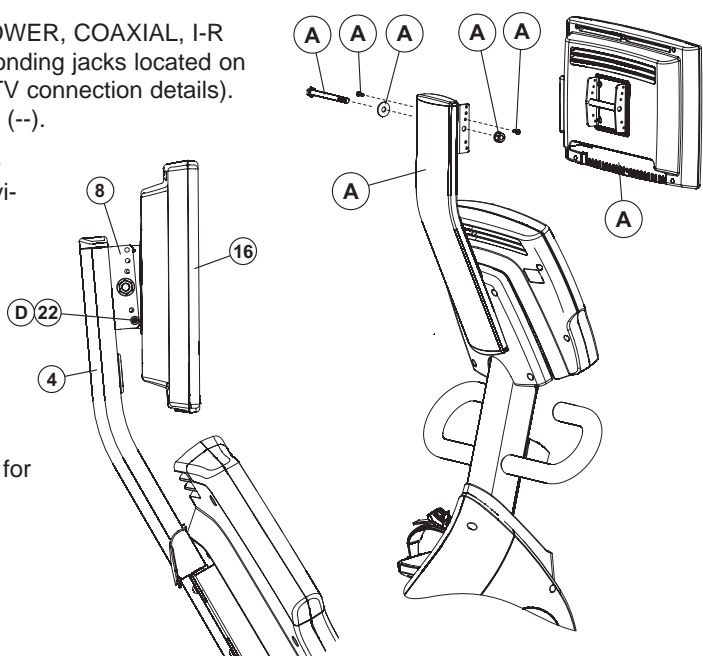
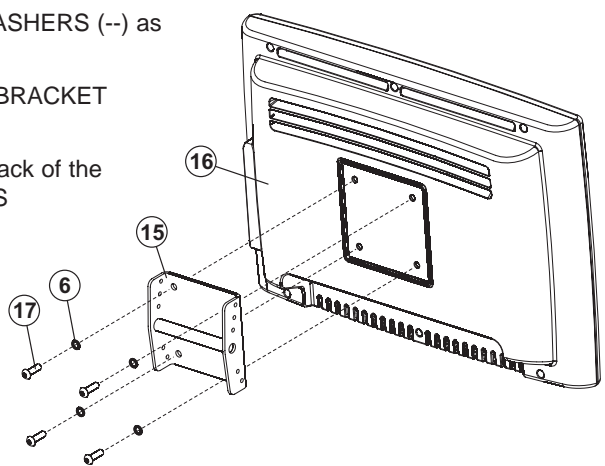
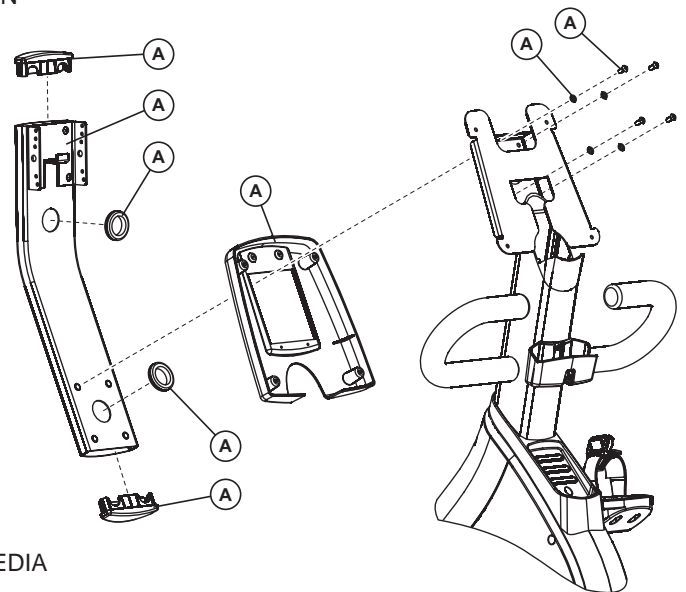
19. Remove the tape from the end of the MEDIA CABLES (POWER, COAXIAL, I-R CONTROL, S-VIDEO). Connect all cables to their corresponding jacks located on the back of the TV (--) (See end of instruction manual for TV connection details). Feed any excess MEDIA CABLE into the MAIN BRACKET (--).

20. Tilt the DISPLAY CONSOLE back into place. Replace the REAR CONSOLE COVER (--) and secure it using the previously removed six SCREWS (--). Tighten the SCREWS securely. (8-10 ft. lbs.). Do not over-tighten the SCREWS.

21. Align the LOWEST SIDE HOLES on the TV BRACKETS (-- & --). Secure the TV BRACKET into proper position using one SCREW (--) on each side.

NOTE: Life Fitness recommends aligning and securing the TV at the lowest side holes (--) as shown.

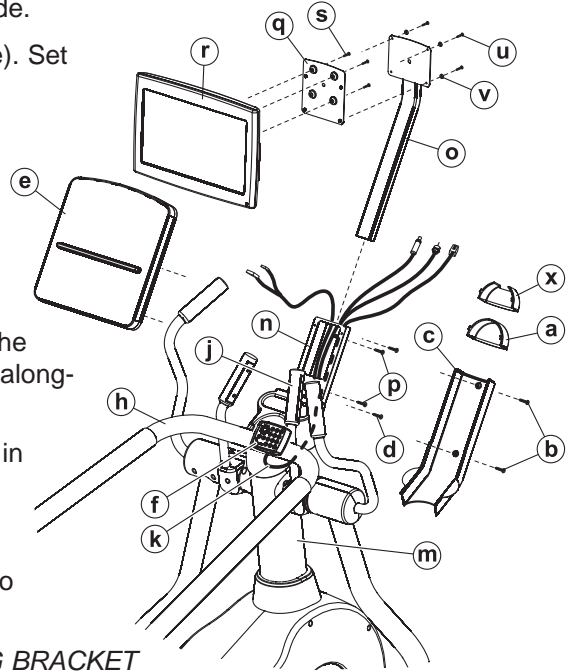
22. Plug in and power on the TV. Refer to the Owners Manual for proper TV setup.



MODELS 95Li SUMMIT TRAINER

TOOLS REQUIRED: *Metric Hex Key Set, Side Cutters, T-45 Torx Wrench*

1. Remove the CONSOLE SUPPORT TOP CAP (a).
2. Remove the two SCREWS (b) securing the CONSOLE SUPPORT COVER (c). Remove the CONSOLE SUPPORT COVER and set it and the SCREWS aside.
3. Remove the four SCREWS (d) securing the DISPLAY CONSOLE (e). Set the SCREWS aside. Tilt the CONSOLE forward and disconnect all cables. Set the CONSOLE aside.
4. Locate the REMOTE CONTROL (f). Configure the MOUNTING BRACKET (g) for a vertical installation. Secure the REMOTE CONTROL to the top of the HANDRAIL (h) and just left of the RIGHT BULLHORN (j) as shown. Tighten the BRACKET MOUNTING SCREWS securely.
5. Route the REMOTE CABLE (k) below the HANDRAIL (h), around the MONOCOLUMN (m) and up through the CONSOLE SUPPORT (n) alongside the POWER CORD and COAXIAL CABLE.
6. Locate the TV MOUNTING BRACKET (o). With the mounting holes in the tube facing downward, slide the tube portion of the MOUNTING BRACKET into the top of the CONSOLE SUPPORT (n). Align the inserts in the tube with the mounting holes on the underside of the CONSOLE SUPPORT. Secure the MOUNTING BRACKET using two SCREWS (p). Tighten the SCREWS securely.

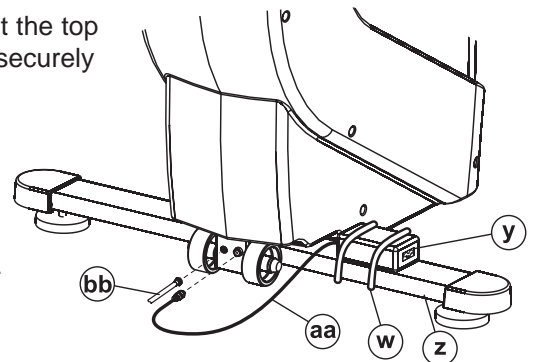


CAUTION: *Do not pinch and cables when inserting the MOUNTING BRACKET into the CONSOLE SUPPORT.*

7. Re-install the DISPLAY CONSOLE (e) using the four previously removed SCREWS (d). Tighten the SCREWS to 6-8 in-lbs. Do not overtighten the SCREWS.

CAUTION: *Do not pinch any wires when assembling the DISPLAY CONSOLE to the CONSOLE SUPPORT.*

8. Attach the ADAPTER BRACKET (q) to the ENTERTAINMENT CONSOLE (r) using four SCREWS (s). Tighten the SCREWS to 6-8 in-lbs. Do not overtighten the SCREWS.
Attach the ENTERTAINMENT CONSOLE to the UPPER MOUNTING PLATE (t) using four SCREWS (u) and WASHERS (v). Tighten the SCREWS to 6-8 in-lbs. Do not overtighten the SCREWS.
9. Connect the COAXIAL CABLE, POWER CORD and REMOTE CABLE (k) to the rear of the ENTERTAINMENT CONSOLE (r) as shown under *Console Cable Connections* at the end of this manual.
10. CABLE TIE (w) any excess cable together behind the ENTERTAINMENT CONSOLE (r) and position the cables between the MOUNTING BRACKET (o) and the DISPLAY CONSOLE (e).
11. Re-install the CONSOLE SUPPORT COVER (c) and secure it using the two previously removed SCREWS (b).
12. Locate the NEW TOP CAP (x). Place the NEW TOP CAP into position at the top of the CONSOLE SUPPORT COVER (c). Be sure the TOP CAP snaps securely in place.
13. Secure the POWER ADAPTER (y) to the FRONT STABILIZER (z) using two CABLE TIES (w) as shown. Be sure the CABLE TIES are pulled tight and trim the excess CABLE TIES. Connect the screw-type connector of the POWER CORD (aa) to the frontside receptacle. Bundle excess POWER CORD and store under the unit. Connect the COAXIAL CABLE (bb) to the broadcast supply cable in similar fashion.
14. Connect the POWER SUPPLY CORD to the POWER ADAPTER (y).



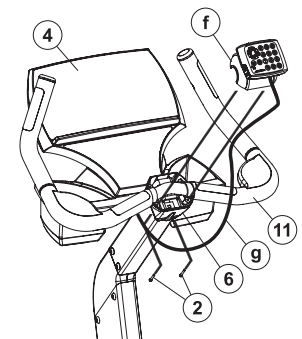
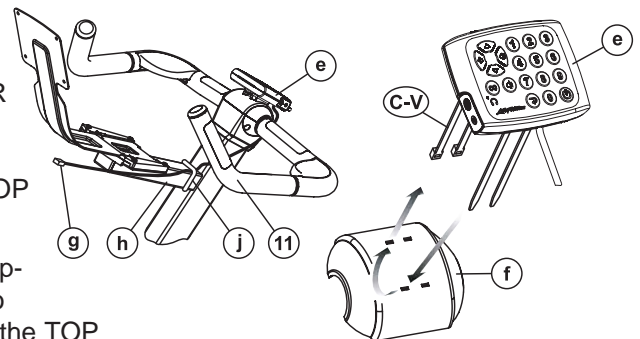
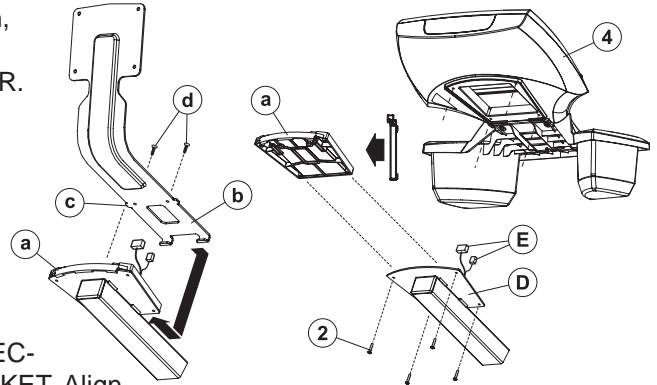
INSTALLATION

MODELS 95Ci, 93C, 90C UPRIGHT LIFECYCLE® EXERCISE BIKES

TOOLS REQUIRED: *Metric Hex Key Set, Side Cutters*

NOTE: Proceed with the following steps before attaching the DISPLAY CONSOLE and ACCESSORY TRAY as described in the Assembly Instructions.

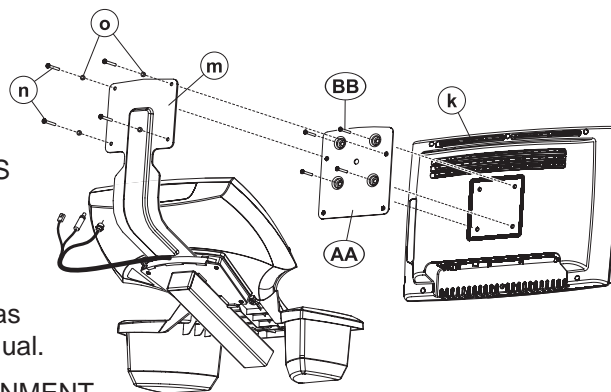
1. Locate the SPACER (a). With the SPACER oriented as shown, feed all the CONSOLE CONNECTORS, POWER CORD, and COAXIAL CABLE through the large center hole in the SPACER. Slide the SPACER onto the CONSOLE MOUNTING PLATE (i) making sure the top of the SPACER hooks over the top of the CONSOLE MOUNTING PLATE. Align the mounting holes of the SPACER and CONSOLE MOUNTING PLATE. Run the POWER CORD, and COAXIAL CABLE through the channel at the top of the SPACER.
2. Locate the MOUNTING BRACKET (b). With the MOUNTING BRACKET oriented as shown, feed all the CONSOLE CONNECTORS through the large center hole in the MOUNTING BRACKET. Align the LOCATING TABS (c) of the MOUNTING BRACKET with the tab slots and position the MOUNTING BRACKET into the center channel of the SPACER. Slide the MOUNTING BRACKET upward until it locks solidly in the SPACER. Secure the MOUNTING BRACKET to the SPACER using two FLAT HEAD SCREWS (d). Tighten the SCREWS securely.
3. Locate the REMOTE CONTROL (e). Remove the two HORIZONTAL CABLE TIES (C-H) for a VERTICAL (C-V) installation.
4. Remove the four SCREWS (2) securing the TOP POLAR COVER (5) to the BOTTOM POLAR COVER (6) and remove the TOP POLAR COVER. Carefully pull the lead end of each CABLE TIE (C-V) until the receptor end meets the bottom of the REMOTE CONTROL (e).
5. Locate the provided new TOP POLAR COVER (f) with mounting slots. Feed both lead ends of the CABLE TIES (C-V) through the bottom mounting slots of the TOP POLAR COVER as shown. Loop the lead ends of the CABLE TIES upward through the top mounting slots. Feed the CABLE TIES through until the bottom of the REMOTE CONTROL (e) contacts the TOP POLAR COVER.
6. Feed the lead ends of the CABLE TIES (C-V) through the receptor ends and slowly pull them tight, alternating between the two CABLE TIES. The remote control should now be snug against the TOP POLAR COVER (f). Trim the excess length of CABLE TIES.
7. Install the new TOP POLAR COVER (f) to the BOTTOM POLAR COVER (5) using the four previously removed SCREWS (2).
8. Loop the REMOTE CABLE (g) under the HANDLEBARS (11) and secure it to the top of the CONSOLE EXTENSION TUBE (h) using one CABLE TIE (j) at the location shown.
9. Install the DISPLAY CONSOLE (4) and ACCESSORY TRAY (3) as instructed in the Assembly Instructions using the four new 1-1/2" SCREWS (i) supplied. Tighten the SCREWS to 6-8 in-lbs. Do not overtighten the SCREWS.



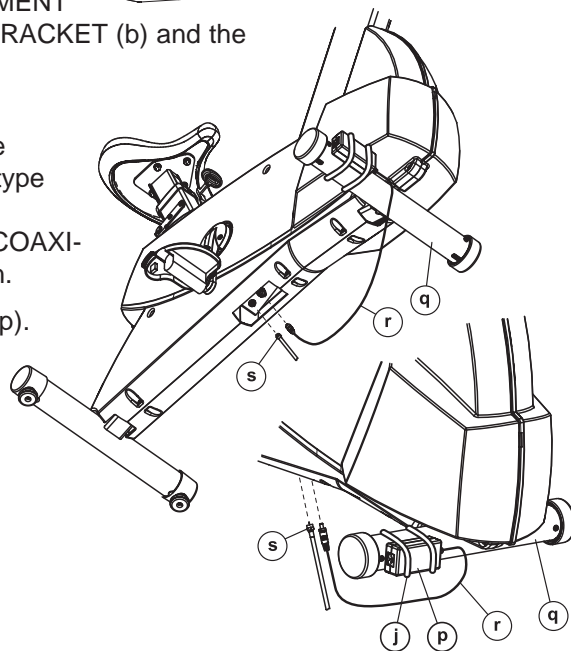
CAUTION: Do not pinch any wires when assembling the DISPLAY CONSOLE (4) to the CONSOLE MOUNTING PLATE (D).

- Attach the ADAPTER BRACKET (AA) to the ENTERTAINMENT CONSOLE (k) to the using four SCREWS (BB). Tighten the SCREWS to 6-8 in-lbs. Do not overtighten the SCREWS.

Attach the ENTERTAINMENT CONSOLE to the UPPER MOUNTING PLATE (m) using four SCREWS (n) and WASHERS (o). Tighten the SCREWS to 6-8 in-lbs. Do not overtighten the SCREWS.



- Connect the COAXIAL CABLE, POWER CORD and REMOTE CABLE (g) to the rear of the ENTERTAINMENT CONSOLE (k) as shown under *Console Cable Connections* at the end of this manual.
- CABLE TIE (j) any excess cable together behind the ENTERTAINMENT CONSOLE (k) and position the cables between the MOUNTING BRACKET (b) and the DISPLAY CONSOLE (4).
- Secure the POWER ADAPTER (p) to the FRONT STABILIZER (q) using two CABLE TIES (j) as shown. Be sure the CABLE TIES are pulled tight and trim the excess CABLE TIES. Connect the screw-type connector of the POWER CORD (r) to the underside receptacle. Bundle excess power cord and store under the unit. Connect the COAXIAL CABLE (s) to the broadcast supply receptacle in similar fashion.
- Connect the POWER SUPPLY CORD to the POWER ADAPTER (p).
- Continue with the remainder of assembly as instructed in the Assembly Instructions. Plug the POWER SUPPLY CORD into an electrical outlet upon completion.



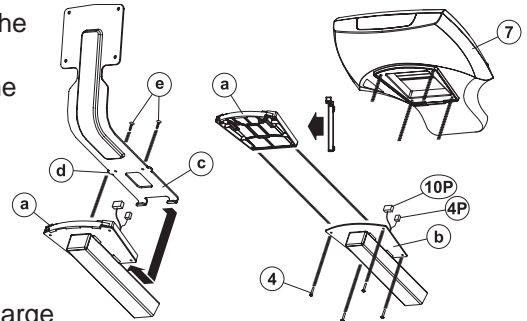
INSTALLATION

MODELS 95Ri, 93R, 90R RECUMBENT LIFECYCLE® EXERCISE BIKES

TOOLS REQUIRED: *Metric Hex Key Set, Side Cutters*

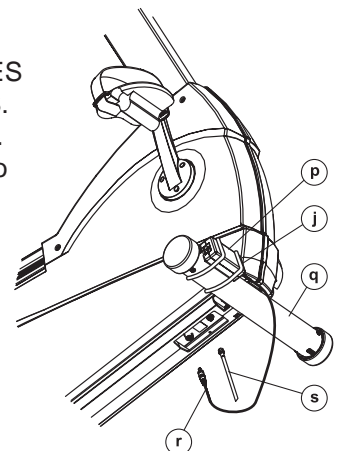
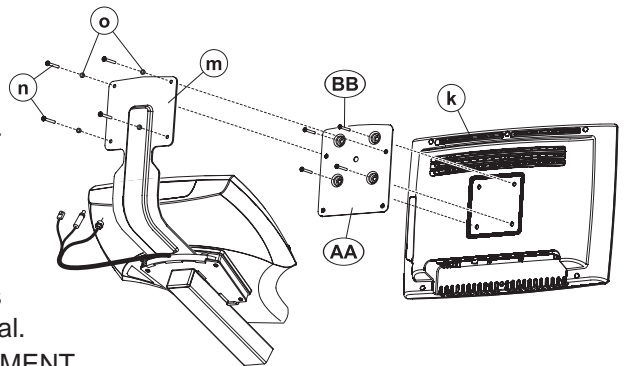
NOTE: Proceed with the following steps before attaching the DISPLAY CONSOLE as described in the Assembly Instructions.

1. Locate the SPACER (a). With the SPACER oriented as shown, feed all the CONSOLE CONNECTORS, POWER CORD, and COAXIAL CABLE through the large center hole in the SPACER. Slide the SPACER onto the CONSOLE MOUNTING PLATE (b) making sure the top of the SPACER hooks over the top of the CONSOLE MOUNTING PLATE. Align the mounting holes of the SPACER and CONSOLE MOUNTING PLATE. Run the POWER CORD, and COAXIAL CABLE through the channel at the top of the SPACER.
2. Locate the MOUNTING BRACKET (c). With the MOUNTING BRACKET oriented as shown, feed all the CONSOLE CONNECTORS through the large center hole in the MOUNTING BRACKET. Align the LOCATING TABS (d) of the MOUNTING BRACKET with the tab slots and position the MOUNTING BRACKET into the center channel of the SPACER. Slide the MOUNTING BRACKET upward until it locks solidly in the SPACER. Secure the MOUNTING BRACKET to the SPACER using two FLAT HEAD SCREWS (e). Tighten the SCREWS securely.
3. Locate the REMOTE CONTROL (f). Configure the REMOTE CONTROL for a VERTICAL (C-V) installation. Secure the REMOTE CONTROL to the top of the HANDLEBAR (g) as shown. Be sure the CABLE TIES (C-V) are pulled tight and trim the excess CABLE TIES.
4. Loop the REMOTE CABLE (h) under the HANDLEBAR (g) and secure it to the HANDLEBAR using three CABLE TIES (j) at the locations shown.
5. Install the DISPLAY CONSOLE (7) as instructed in the Assembly Instructions using the four new 1-1/2" SCREWS supplied. Tighten the SCREWS to 6-8 in-lbs. Do not overtighten the SCREWS.



CAUTION: Do not pinch any wires when assembling the DISPLAY CONSOLE (7) to the CONSOLE MOUNTING PLATE (b).

6. Attach the ADAPTER BRACKET (AA) to the ENTERTAINMENT CONSOLE (k) to the using four SCREWS (BB). Tighten the SCREWS to 6-8 in-lbs. Do not overtighten the SCREWS. Attach the ENTERTAINMENT CONSOLE to the UPPER MOUNTING PLATE (m) using four SCREWS (n) and WASHERS (o). Tighten the SCREWS to 6-8 in-lbs. Do not overtighten the SCREWS.
7. Connect the COAXIAL CABLE, POWER CORD and REMOTE CABLE (h) to the rear of the ENTERTAINMENT CONSOLE (k) as shown under *Console Cable Connections* at the end of this manual.
8. CABLE TIE (j) any excess cable together behind the ENTERTAINMENT CONSOLE (k) and position the cables between the MOUNTING BRACKET (c) and the DISPLAY CONSOLE (7).
9. Secure the POWER ADAPTER (p) to the FRONT STABILIZER (q) using two CABLE TIES (j) as shown. Be sure the CABLE TIES are pulled tight and trim the excess CABLE TIES. Connect the screw-type connector of the POWER CORD (r) to the underside receptacle. Bundle excess power cord and store under the unit. Connect the COAXIAL CABLE (s) to the broadcast supply receptacle in similar fashion.
10. Connect the POWER SUPPLY CORD to the POWER ADAPTER (p).
11. Continue with the remainder of assembly as instructed in the Assembly Instructions. Plug the POWER SUPPLY CORD into an electrical outlet upon completion.

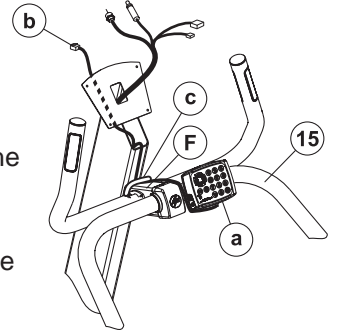


MODELS 95Si, 93S, 90S STAIRCLIMBERS

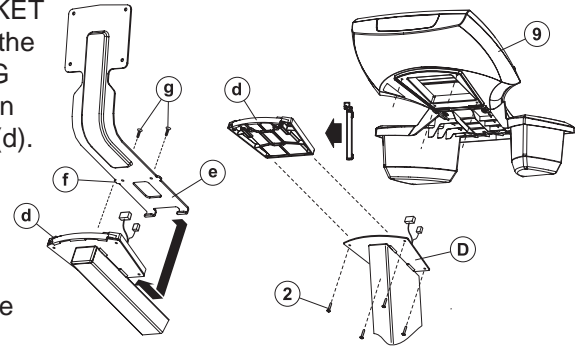
TOOLS REQUIRED: *Metric Hex Key Set, Side Cutters*

NOTE: *Proceed with the following steps before attaching the DISPLAY CONSOLE and ACCESSORY TRAY as described in the Assembly Instructions.*

1. Locate the REMOTE CONTROL (a). Configure the REMOTE CONTROL for a VERTICAL (C-V) installation. Secure the REMOTE CONTROL to the top of the HANDLEBAR (15) as shown. Be sure the CABLE TIES (C-V) are pulled tight and trim the excess CABLE TIES.
2. Loop the REMOTE CABLE (b) under the HANDLEBAR (15) and secure it to the top of the CONSOLE EXTENSION TUBE (F) using one CABLE TIE (c) at the location shown.
3. Locate the SPACER (d). With the SPACER oriented as shown, feed all the previously removed CONSOLE CONNECTORS, POWER CORD, and COAXIAL CABLE through the large center hole in the SPACER. Slide the SPACER onto the CONSOLE MOUNTING PLATE (D) making sure the top of the SPACER hooks over the top of the CONSOLE MOUNTING PLATE. Align the mounting holes of the SPACER and CONSOLE MOUNTING PLATE. Run the POWER CORD, and COAXIAL CABLE through the channel at the top of the SPACER.



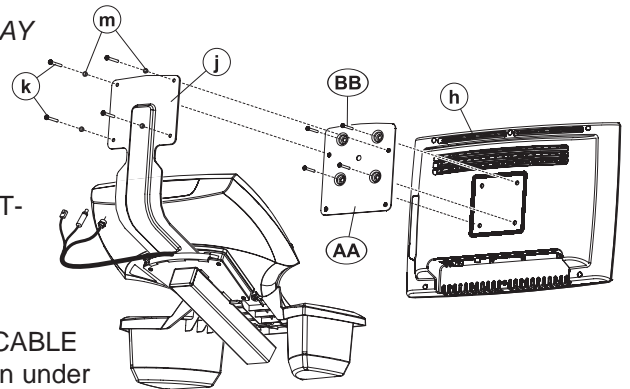
4. Locate the MOUNTING BRACKET (e). With the MOUNTING BRACKET oriented as shown, feed all the CONSOLE CONNECTORS through the large center hole in the MOUNTING BRACKET. Align the LOCATING TABS (f) of the MOUNTING BRACKET with the tab slots and position the MOUNTING BRACKET into the center channel of the SPACER (d). Slide the MOUNTING BRACKET upward until it locks solidly in the SPACER. Secure the MOUNTING BRACKET to the SPACER using two FLAT HEAD SCREWS (g). Tighten the SCREWS securely.
5. Install the DISPLAY CONSOLE (9) as instructed in the Assembly Instructions using the four new 1-1/2" SCREWS supplied. Tighten the SCREWS to 6-8 in-lbs. Do not overtighten the SCREWS.



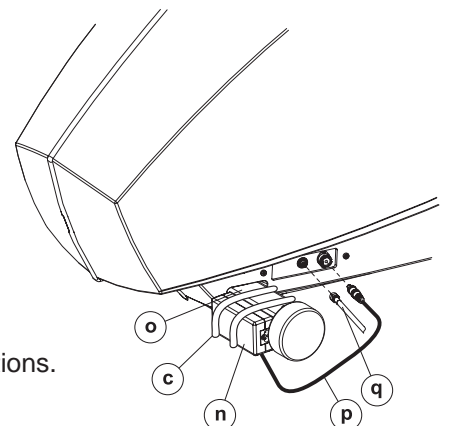
CAUTION: *Do not pinch any wires when assembling the DISPLAY CONSOLE (9) to the CONSOLE MOUNTING PLATE (D).*

6. Attach the ADAPTER BRACKET (AA) to the ENTERTAINMENT CONSOLE (h) to the using four SCREWS (BB). Tighten the SCREWS to 6-8 in-lbs. Do not overtighten the SCREWS.

Attach the ENTERTAINMENT CONSOLE to the UPPER MOUNTING PLATE (j) using four SCREWS (k) and WASHERS (m). Tighten the SCREWS to 6-8 in-lbs. Do not overtighten the SCREWS.



7. Connect the COAXIAL CABLE, POWER CORD and REMOTE CABLE (b) to the rear of the ENTERTAINMENT CONSOLE (h) as shown under *Console Cable Connections* at the end of this manual.
8. CABLE TIE (c) any excess cable together behind the ENTERTAINMENT CONSOLE (h) and position the cables between the MOUNTING BRACKET (e) and the DISPLAY CONSOLE (9).
9. Secure the POWER ADAPTER (n) to the FRONT STABILIZER (o) using two CABLE TIES (c) as shown. Be sure the CABLE TIES are pulled tight and trim the excess CABLE TIES. Connect the screw-type connector of the POWER CORD (p) to the underside receptacle. Bundle excess power cord and store under the unit. Connect the COAXIAL CABLE (q) to the broadcast supply cable in similar fashion.
10. Connect the POWER SUPPLY CORD to the POWER ADAPTER (n).
11. Continue with the remainder of assembly as instructed in the Assembly Instructions. Plug the POWER SUPPLY CORD into an electrical outlet upon completion.



INSTALLATION

MODELS 95Xi, 93X, 90X CROSS-TRAINERS

TOOLS REQUIRED: Metric Hex Key Set, Side Cutters, T-45 Torx Wrench

NOTE: Proceed with the following steps before attaching the DISPLAY CONSOLE as described in the Assembly Instructions. Do not install the left BULLHORN and BULLHORN COVER. Do not install the ACCESSORY TRAY.

If the left bullhorn has been installed, follow steps 1 & 2 for removal.

1. Remove the SCREW (22) securing the LEFT BULLHORN COVER (15). Set the LEFT BULLHORN COVER and SCREW aside.
2. Remove the two SCREWS (2) securing the LEFT BULLHORN (13) to the LEFT BULLHORN MOUNTING PLATE (D). Remove the LEFT BULLHORN.
3. Locate the supplied NEW LEFT BULLHORN (a). Secure it in place using the two previously removed SCREWS (2). Tighten the SCREWS to 15-20 ft-lbs.
4. Replace the LEFT BULLHORN COVER (15) and secure it using the previously removed SCREW (22). Tighten the SCREW securely. Slide the BULLHORN COVER GASKET downward to meet the LEFT BULLHORN COVER.
5. Locate the REMOTE CONTROL (b). Configure the REMOTE CONTROL for a HORIZONTAL (C-H) installation. Secure the REMOTE CONTROL to the top of the MOUNTING FINGER (c) located on the NEW LEFT BULLHORN (a) as shown. Be sure the CABLE TIES (C-H) are pulled tight and trim the excess CABLE TIES.
6. Route the REMOTE CABLE (d) through the MONOCOLUMN (H) and up through the top of the CONSOLE SUPPORT (7) alongside the POWER CORD and COAXIAL CABLE.
7. Locate the MOUNTING BRACKET (e). With the mounting holes in the tube facing downward, slide the tube portion of the MOUNTING BRACKET into the top of the CONSOLE SUPPORT (7). Align the inserts in the tube with the mounting holes on the underside of the CONSOLE SUPPORT. Secure the MOUNTING BRACKET using two SCREWS (f). Tighten the SCREWS securely.

CAUTION: Do not pinch cables when inserting the MOUNTING BRACKET (e) into the CONSOLE SUPPORT (7).

8. Install the DISPLAY CONSOLE (4) as instructed in the Assembly Instructions using the four new 1-1/2" SCREWS supplied. Tighten the SCREWS to 6-8 in-lbs. Do not overtighten the SCREWS.

CAUTION: Do not pinch any wires when assembling the DISPLAY CONSOLE (4) to the CONSOLE SUPPORT (7).

9. Install the ACCESSORY TRAY (17) as instructed in the Assembly Instructions. Tighten the SCREWS to 6-8 in-lbs. Do not overtighten the SCREWS.

NOTE: Feed any excess REMOTE CABLE (d) into the MONOCOLUMN (H).

CAUTION: Do not pinch any wires when inserting the ACCESSORY TRAY (17) into the MONOCOLUMN (H).

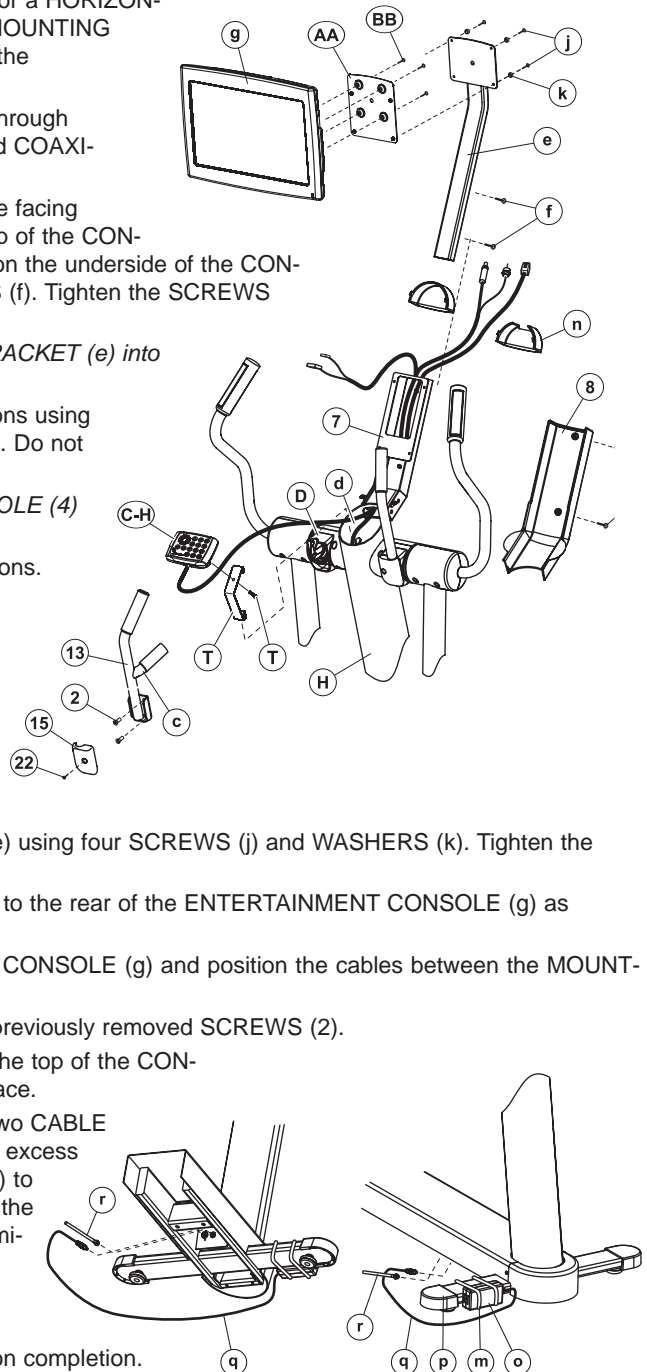
10. Attach the ADAPTER BRACKET (AA) to the ENTERTAINMENT CONSOLE (g) to the using four SCREWS (BB). Tighten the SCREWS to 6-8 in-lbs. Do not overtighten the SCREWS.

Attach the ENTERTAINMENT CONSOLE to the MOUNTING BRACKET (e) using four SCREWS (j) and WASHERS (k). Tighten the SCREWS to 6-8 in-lbs. Do not overtighten the SCREWS.

11. Connect the COAXIAL CABLE, POWER CORD and REMOTE CABLE (d) to the rear of the ENTERTAINMENT CONSOLE (g) as shown under *Console Cable Connections* at the end of this manual.
12. CABLE TIE (m) any excess cable together behind the ENTERTAINMENT CONSOLE (g) and position the cables between the MOUNTING BRACKET (e) and the DISPLAY CONSOLE (4).
13. Install the CONSOLE SUPPORT COVER (8) and secure it using the two previously removed SCREWS (2).
14. Locate the NEW TOP CAP (n). Place the NEW TOP CAP into position at the top of the CONSOLE SUPPORT COVER (8). Be sure the TOP CAP snaps securely in place.

15. Secure the POWER ADAPTER (o) to the FRONT STABILIZER (p) using two CABLE TIES (m) as shown. Be sure the CABLE TIES are pulled tight and trim the excess CABLE TIES. Connect the screw-type connector of the POWER CORD (q) to the underside receptacle. Bundle excess POWER CORD and store under the unit. Connect the COAXIAL CABLE (r) to the broadcast supply cable in similar fashion.

16. Connect the POWER SUPPLY CORD to the POWER ADAPTER (o).
17. Continue with the remainder of assembly as instructed in the Assembly Instructions. Plug the POWER SUPPLY CORD into an electrical outlet upon completion.

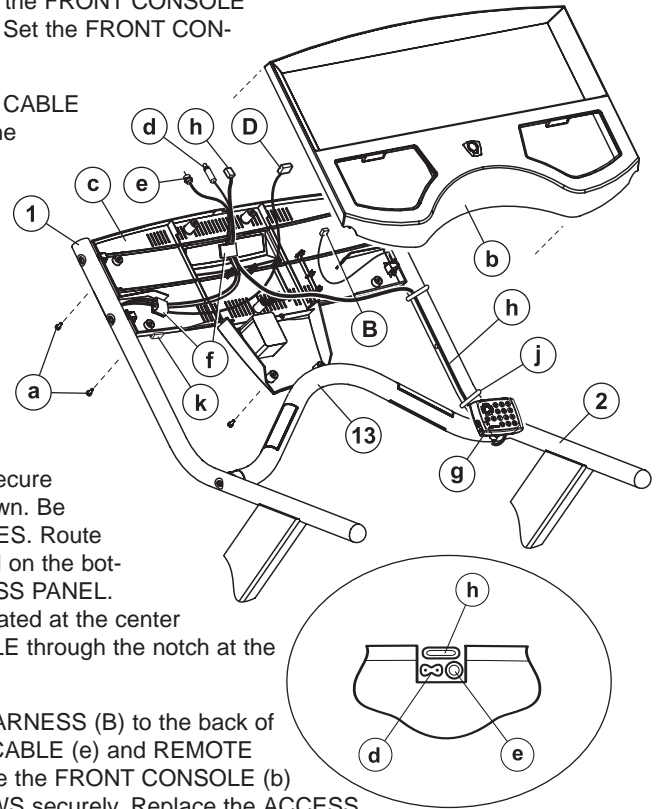


MODELS 91Ti, 90T TREADMILLS

TOOLS REQUIRED: Standard Screwdriver, Phillips Screwdriver, Metric Hex Key Set, Side Cutters

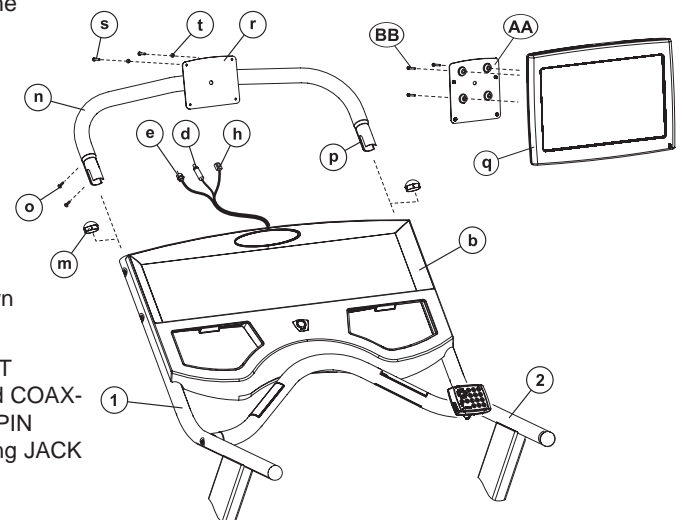
NOTE: Proceed with the following steps immediately after attaching the DISPLAY CONSOLE as described in the Assembly Instructions. Do not install the ACCESSORY TRAYS or PUSH RIVETS.

1. Remove the nine SCREWS (a) from the rear of the console securing the FRONT CONSOLE (b) to the REAR CONSOLE (c). Carefully lift the FRONT CONSOLE. Set the FRONT CONSOLE and SCREWS aside.
2. Route the main wire harness (D), POWER CORD (d), and COAXIAL CABLE (e) through the LARGE CABLE CLIP (f) located at the left inside of the REAR CONSOLE (c). Route the POWER CORD and COAXIAL CABLE through the LARGE CABLE CLIP (f) located at the center inside of the REAR CONSOLE. Continue routing the POWER CORD and COAXIAL CABLE through the notch at the top of the REAR CONSOLE.
3. Locate the REMOTE CONTROL (g). Configure the REMOTE CONTROL for a VERTICAL (C-V) installation. Secure the REMOTE CONTROL to the left end of the ERGO CROSSBAR (13) as shown. Be sure the CABLE TIES (C-V) are pulled tight and trim the excess CABLE TIES.
4. Route the REMOTE CABLE (h) along the LEFT HANDLEBAR (1). Secure the REMOTE CABLE using two CABLE TIES (j) at the locations shown. Be sure the CABLE TIES are pulled tight and trim the excess CABLE TIES. Route the remaining REMOTE CABLE through the CABLE CLIP (k) located on the bottom left of the REAR CONSOLE (c) and up through the LEFT ACCESS PANEL. Route the REMOTE CABLE through the LARGE CABLE CLIP (f) located at the center inside of the REAR CONSOLE. Continue routing the REMOTE CABLE through the notch at the top of the REAR CONSOLE.
5. Connect the MAIN WIRE HARNESS (D) and HANDLEBAR WIRE HARNESS (B) to the back of the FRONT CONSOLE (b). With the POWER CORD (d), COAXIAL CABLE (e) and REMOTE CABLE (h) oriented in the TOP CONSOLE NOTCH as shown, secure the FRONT CONSOLE (b) using the nine previously removed SCREWS (a). Tighten the SCREWS securely. Replace the ACCESS PANELS (C).



NOTE: Be careful not to pinch the REMOTE CABLE (h) when replacing the ACCESS PANELS (C).

6. Install the ACCESSORY TRAYS (17 & 18) as instructed in the Assembly Instructions.
7. Remove the LEFT and RIGHT UPPER HANDLEBAR ENDCAPS (m) and discard them.
8. Position the BRACKET TUBE (n) as shown and slide the ends into the HANDRAILS (1 & 2) until fully seated.
9. Install the four SET SCREWS (o) into the BRACKET TUBE MOUNTING ARMS (p) and tighten the SET SCREWS securely. Do not over-tighten the SET SCREWS.
10. Attach the ENTERTAINMENT CONSOLE (q) to the UPPER MOUNTING PLATE (r) using four SCREWS (s) and NYLON WASHERS (t). Tighten the SCREWS to 6-8 in-lbs. Do not over-tighten the SCREWS.
11. Connect the COAXIAL CABLE (e), REMOTE CABLE (h), and POWER CORD (d) to the rear of the ENTERTAINMENT CONSOLE (q) as shown under *Console Cable Connections* at the end of this manual.



12. Unwrap the MAIN WIRE HARNESS (D) located at the base of the LEFT UPRIGHT (1). Route the MAIN WIRE HARNESS, POWER CABLE and COAXIAL CABLE under the CROSS FRAME MEMBER (E). Connect the 10-PIN CONNECTOR (10P) of the MAIN WIRE HARNESS to the corresponding JACK (F) located at the top of the CONTROL BOARD (G).

INSTALLATION

- 13 Locate the COAXIAL COUPLER (u). Remove the RETAINING NUT (v) and two WASHERS (w & x) from the COUPLER. Insert the COUPLER into the large D-SLOT located at the front of the MOTOR PAN (y). Secure the COUPLER using the two WASHERS and RETAINING NUT previously removed. Tighten the NUT securely. Attach the COAXIAL CABLE (e) leading from the LEFT UPRIGHT to the top of the COUPLER. Attach the BROADCAST SUPPLY CABLE (z) to the bottom of the COUPLER.

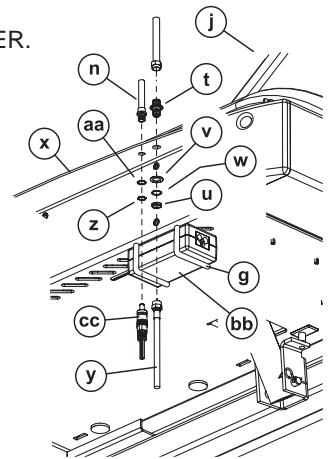
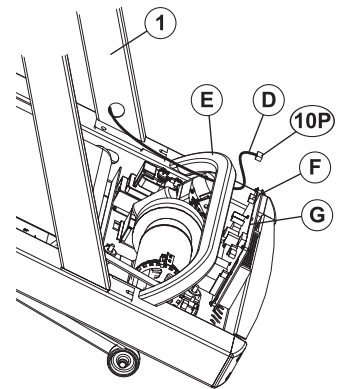
NOTE: Be sure to leave at least 12" of excess BROADCAST SUPPLY CABLE (z) between the floor and the coaxial connection on the unit to accommodate elevation of the unit.

- 14 Remove the RETAINING NUT (aa) and WASHER (bb) from coupler end of the POWER CORD (d) leading from the LEFT UPRIGHT. Position the coupler into the small D-SLOT located at the front of the MOTOR PAN (y). Secure the COUPLER using the WASHER and RETAINING NUT previously removed. Tighten the NUT securely.

Mount the POWER ADAPTER (cc) to the bottom of the MOTOR PAN (y) using two CABLE TIES (j). Be sure the CABLE TIES are pulled tight and trim the excess CABLE TIES. Connect the screw-type connector of the POWER CORD (dd) to the underside of the POWER CORD COUPLER. Bundle excess POWER CORD and store under the unit.

NOTE: Be sure the POWER ADAPTER (cc) and CABLE TIES (j) do not interfere with the LIFT MECHANISM.

15. Connect the POWER SUPPLY CORD to the POWER ADAPTER (cc).
16. Continue with the remainder of assembly as instructed in the Assembly Instructions. Plug the POWER SUPPLY CORD into an electrical outlet upon completion.



MODELS 97Ti, 95Ti, 93T TREADMILLS

TOOLS REQUIRED: Standard Screwdriver, Phillips Screwdriver, Metric Hex Key Set, Side Cutters

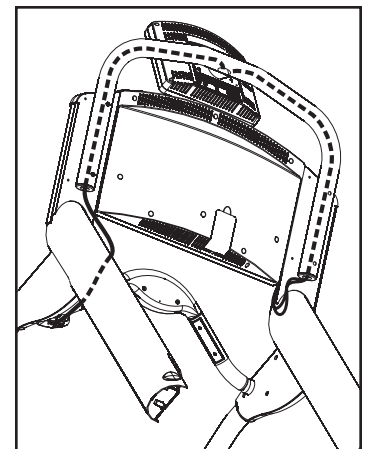
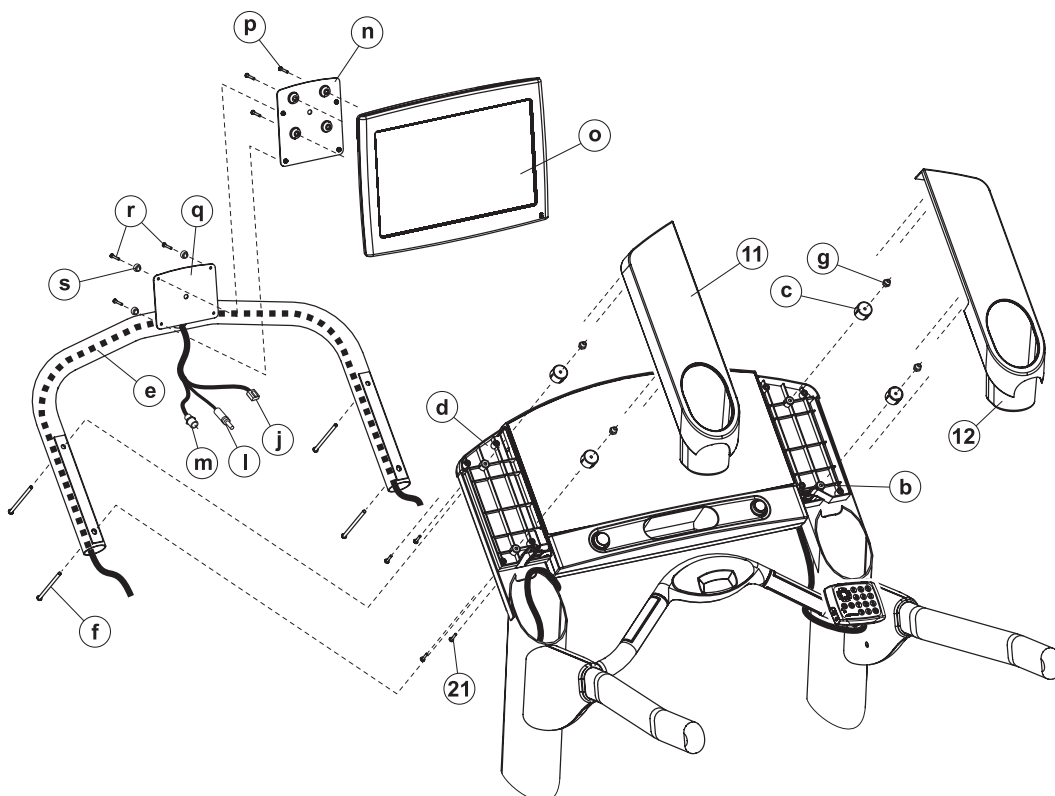
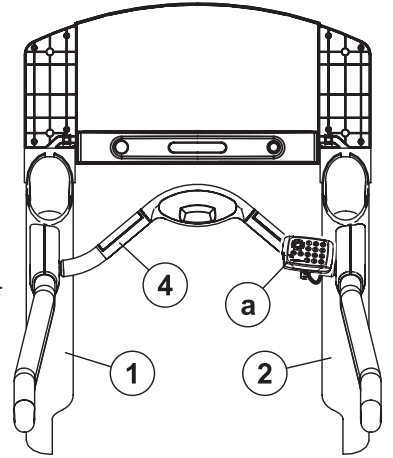
NOTE: Proceed with the following steps immediate after attaching the DISPLAY CONSOLE as described in the Assembly Instructions. Do not install the ACCESSORY TRAYS.

1. Locate the REMOTE CONTROL (a). Configure the REMOTE CONTROL for a VERTICAL installation. Secure the REMOTE CONTROL to the right end of the ERGO CROSS-BAR (4) as shown.
2. If through-holes in the four CONSOLE BOSSES (b) are not present, use a 5/16" drill from the top center of the four CONSOLE BOSSES to create through-holes.

NOTE: Be careful not to damage the threads of the BRASS INSERTS when drilling the through-holes in the CONSOLE BOSSES (b).

CAUTION: Wear eye safety equipment when drilling the through-holes in the CONSOLE BOSSES.

3. Locate the four RETAINING SPACERS (c). Position the RETAINING SPACERS over the CONSOLE BOSSES (b) as shown. Be sure the RETAINING SPACERS are fully nested over the structural ribs inside the REAR CONSOLE (d).
4. Position the BRACKET TUBE (e) with the MOUNTING PLATE facing upward as shown. Position two SCREWS (f) on either side through the CONSOLE BOSSES (b). Install four NYLOCK NUTS (g) onto the installed SCREWS (f) securing the RETAINING SPACERS (c) and BRACKET TUBE to the REAR CONSOLE. Tighten the NYLOCK NUTS securely. Do not over-tighten the NYLOCK NUTS.
5. Route the REMOTE CABLE (j) along the inside of the RIGHT UPRIGHT (2), up through the BRACKET TUBE (d) and out the ACCESS HOLE (k) at the top of the BRACKET TUBE (e). Carefully pull the REMOTE CABLE through the ACCESS HOLE removing any slack.
6. Route the POWER CORD (l) and COAXIAL CABLE (m) leading from the LEFT UPRIGHT (1) along the inside of the LEFT UPRIGHT, up through the BRACKET TUBE (e) and out the ACCESS HOLE (k) at the top of the BRACKET TUBE. Carefully pull the POWER CORD and COAXIAL CABLE through the ACCESS HOLE removing any slack.



INSTALLATION

7. Attach the ADAPTER BRACKET (n) to the ENTERTAINMENT CONSOLE (o) to the using four SCREWS (p). Tighten the SCREWS to 6-8 in-lbs. Do not overtighten the SCREWS. Attach the ENTERTAINMENT CONSOLE to the MOUNTING BRACKET (q) using four SCREWS (r) and WASHERS (s). Tighten the SCREWS to 6-8 in-lbs. Do not overtighten the SCREWS.

8. Connect the COAXIAL CABLE (m), REMOTE CABLE (j) and POWER CORD (l) to the

3. Route the REMOTE CABLE (c) along the inside of the LEFT UPRIGHT (1), up through the CABLE GUIDE (d), through the CABLE CLIPS (a) and out the top of the REAR CONSOLE (R). Route the REMOTE CABLE around the console stand-offs as shown.
4. With the POWER CORD (e), COAXIAL CABLE (f) and REMOTE CABLE (c) oriented in the TOP CONSOLE NOTCH as shown, connect the CONSOLE CONNECTORS as instructed in the Assembly Instructions and secure the FRONT CONSOLE (S) using the eight previously removed SCREWS (Q). Tighten the SCREWS securely.

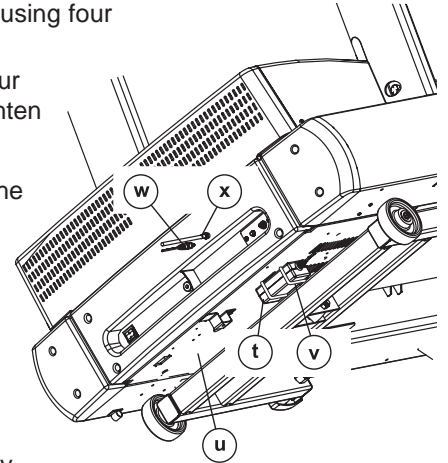
NOTE: All CABLES should be routed throught the CABLE GUIDE (c) located at the lower left of the REAR CONSOLE (R).

5. If through-holes in the four CONSOLE BOSSES (g) are not present, use a 5/16" drill from the top center of the four CONSOLE BOSSES to create through-holes.

NOTE: Be careful not to damage the threads of the BRASS INSERTS when drilling the through-holes in the CONSOLE BOSSES (g).

CAUTION: Wear eye safety equipment when drilling the through-holes in the CONSOLE BOSSES.

rear of the ENTERTAINMENT CONSOLE (o) as shown under *Console Cable Connections* at the end of this manual. Feed any excess cable into the BRACKET TUBE (e).



9. Mount the POWER ADAPTER (t) to the bottom of the MOTOR PAN (u) using two CABLE TIES (v). Be sure the CABLE TIES are pulled tight and trim the excess CABLE TIES. Connect the screw-type connector of the POWER CORD (w) to the underside receptacle. Bundle excess power cord and store under the unit. Connect the COAXIAL CABLE (x) to the broadcast supply cable in similar fashion.

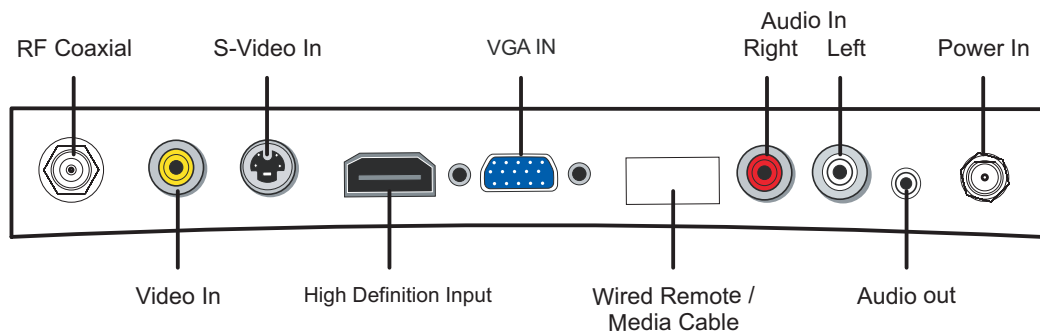
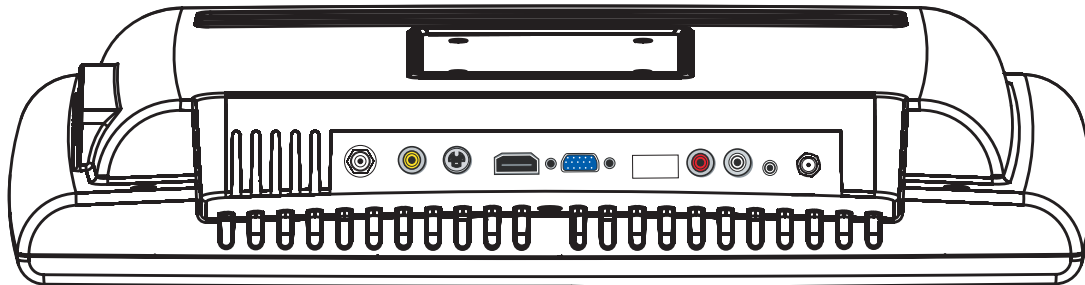
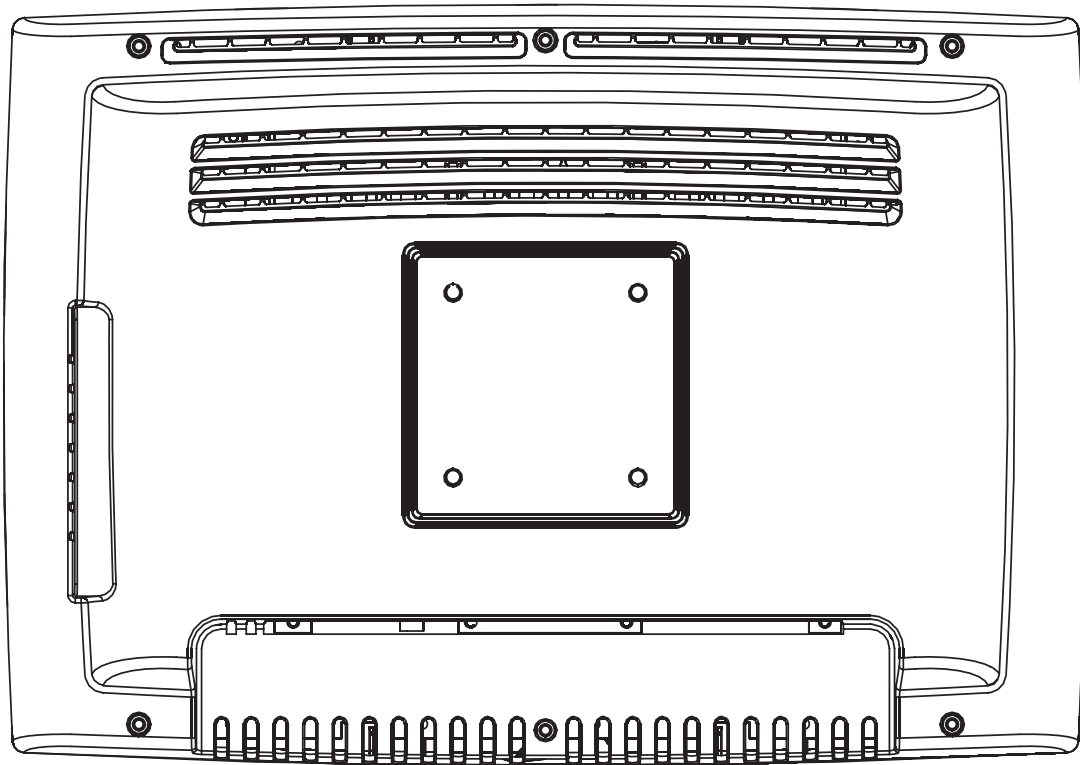
NOTE: Be sure the POWER ADAPTER and CABLE TIES do not interfere with the LIFT MECHANISM.

NOTE: Be sure to leave at least 12" of excess COAXIAL CABLE between the floor and the coaxial connection on the unit to accomodate elevation of the unit.

10. Connect the POWER SUPPLY CORD to the POWER ADAPTER (t).

11. Continue with the remainder of assembly as instructed in the Assembly Instructions. Plug the POWER SUPPLY CORD into an electrical outlet upon completion.

CONSOLE CABLE CONNECTIONS





M051-00K71-A002

Life Fitness World Headquarters
10601 W. Belmont Avenue
Franklin Park, IL 60131